



VENTILATED VERTICAL HEATED DISPLAY CASE

Global control / Stage control

**4MCV4LS – 4MCV4LS.I
6MCV4LS – 6MCV4LS.I
6MCV5LS – 6MCV5LS.I
10MCV4LS – 10MCV4LS.I
10MCV5LS – 10MCV5LS.I**

INSTRUCTIONS : INSTALLATION USE MAINTENANCE



Membre de la Chaîne des Rôtisseurs

1 PRESENTATION



model 10MCV5LS.I



model 6MCV4LS

1.1 BASIC COMPOSITION

5° inclined stainless steel display surface.

Stainless steel interior Closed black epoxy base

Protected front panel control

Heating by armored resistances and ventilated by turbines

Temperature control by electronic thermostat

Preset safety thermostat per shelf:

- **Model LS** : Global regulation
- **Model LS.I** : 1 regulation per level

4 fixed castors, 2 of which have brakes

Lighting on each level by leds.

Read this book carefully before starting the installation and commissioning operations.

Keep this leaflet for future reference.

1. PRESENTATION OF THE UNIT

1.1. GENERAL

Heated Vertical Displays 4 or 5 levels of presentation inclined at 5 °, static heating and ventilated by levels.

Reference	Voltage (V)	Electrical Power (kW)	Lenght (mm)	Depth (mm)	Height (mm)	chikens Capacity	Weight (kg)
4MCMV4x	230V mono + Terre	3	550	735	1716	13/26	120
6MCMV4x	230V mono + Terre	3,2	650	735	1745	21/42	148
6MCMV5x	400V Tri + Terre	3,9	650	735	1996	26/52	170
10MCMV4x	400V Tri + Terre	4,75	1025	735	1745	37/74	185
10MCMV5x	400V Tri + Terre	6,2	1025	735	1996	46/92	225

The unit is for professional use and should be used by qualified personnel.

Before starting any operation, please refer to this manual. Carefully keep available near the unit.

Upgrading of the local load of the user.

We recommend that you call a qualified dealer for the connection and start-up of the device under the condition that the electric and gas bookings are carried out by authorized companies authorized by you, and hold near the location of the heating device.

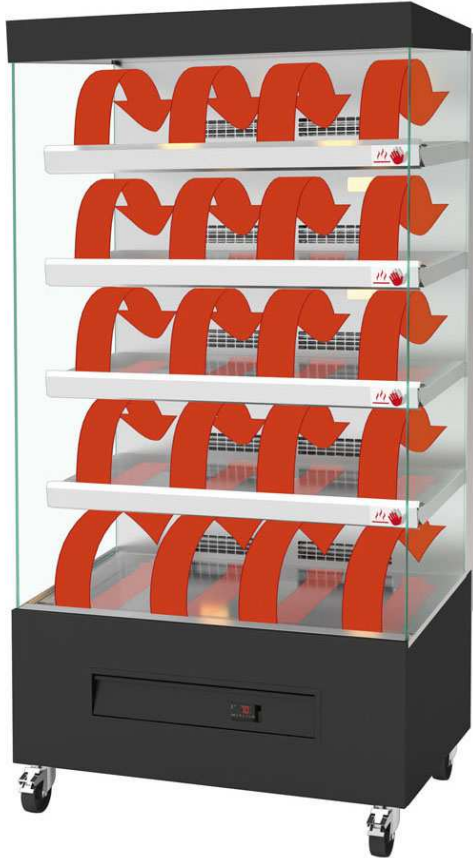
Intervention on the electrical parts must be performed by qualified personnel in compliance with current standards.

The company is not liable for damages if:

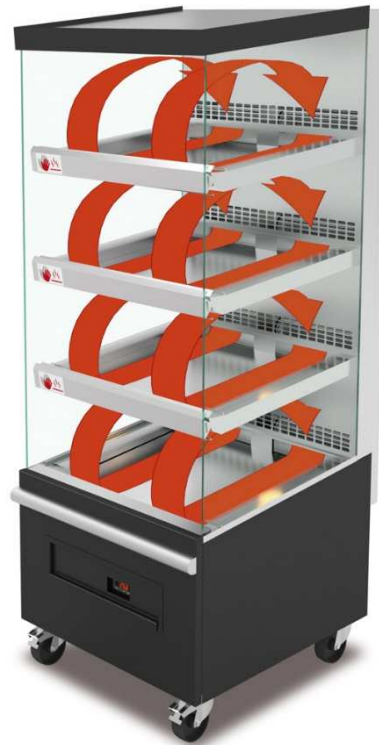
- improper use of the device
- non-compliance with standards
- incorrect installation
- non compliance with guidance on maintenance
- unauthorized modification
- installation of non-original spare parts
- installation and use of the rotisserie different than those provided by the manufacturer

The nameplate is located on the control panel of the display.

2 HEATING PRINCIPLE



10MCV5LS

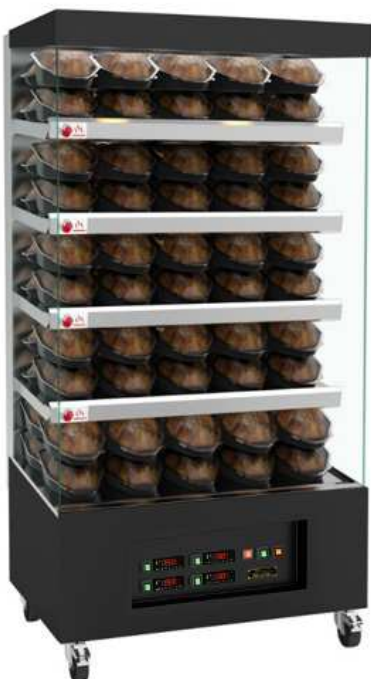


6MCV4LS

Original design with a combination of a cylindrical fan of circulated air and radiant heating elements which allows any product (whatever its position on the shelf) to be maintained at a core temperature between + 63 ° and + 70 ° (poultry packed in CPET shells or in bags and various packaging for snacking).

2.1 EXAMPLES OF USES

ROTISSERIE



SNACKING



3. RECOMMENDATIONS

IMPORTANT

This appliance is not a cooking appliance

- _ This showcase is a temperature maintenance device.
- _ Always preheat about 25 mm before positioning the products to be kept warm.
- _ Set temperature at 70 ° C for a temperature maintenance of 2 hours.
- _ Make sure you put the brakes on the casters after positioning
- _ Do not move the device while it is in operation.
- _ Do not fill drinks to the brim if they are not airtight (risk of spilling)
- _ Immediately after cooking, the food must be shelled or bagged and placed on presentation plans; any loss of time is prejudicial to the maintenance temperature for 2 hours.
- _ To move a piece of furniture on casters, push it by the bodywork and not by the windows or the amounts of ice.
- _ The display case is not a toy, keep out of the reach of children.
- _ Do not position a flammable product next to the display case.

SECURITY:

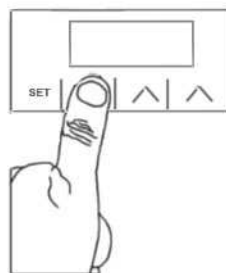
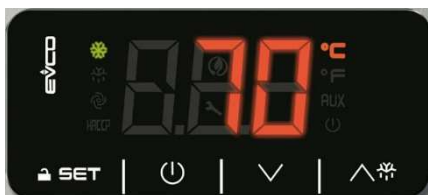


Make sure that the air vents are not obstructed and that no bodies fall inside.

CAUTION HOT WALLS

Thermostat handling:

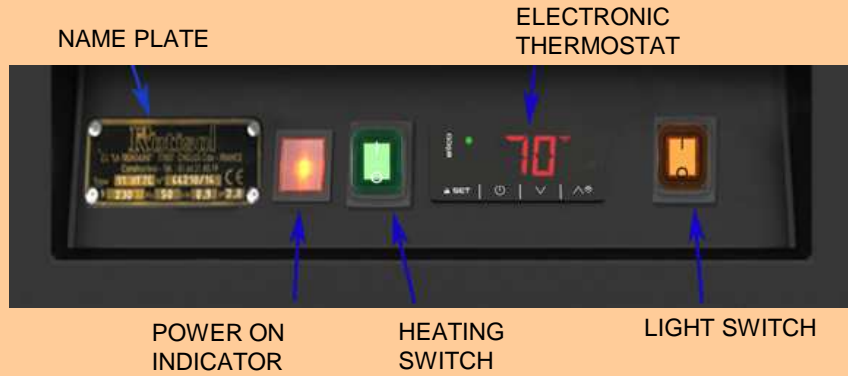
- Check if the showcase is on, the display lights up.
- Please press the buttons on the control panel with your finger, avoiding the nail being in contact with the panel. Do not use any object.



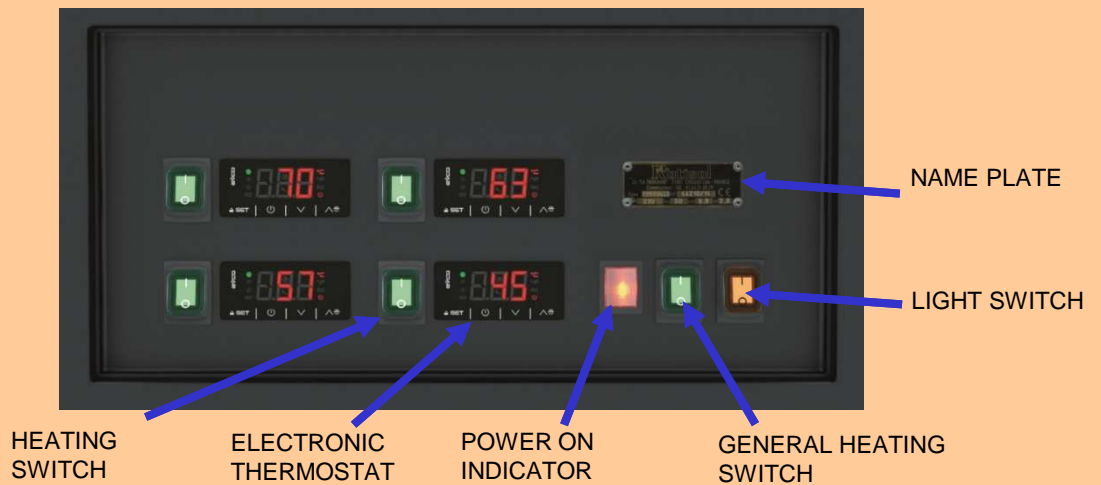
USE OF CONTROLS

Lift and hold the control panel protection panel located in the lower part of the facade.

REGULATION GLOBAL LS



INDEPENDENT REGULATION LS.I



Check that the opaque power-on indicator light is on.

Put the green heating switch in the "I" position

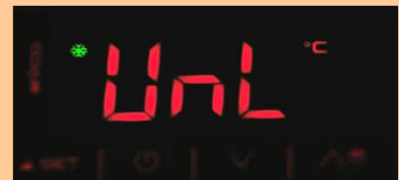
Put the orange light switch in the "I" position

For: Thermostat EV3X21

Locked screen:



Unlocking: press 4s on the "SET" key of the digital thermostat



To increase or decrease the temperature press on the "set" key of the digital thermostat press the «▲» to increase it press the «▼» to decrease it Press the "set" key to confirm the temperature

Lift and hold the control panel protection panel

Put the orange switch in the "0" position to turn off the lighting

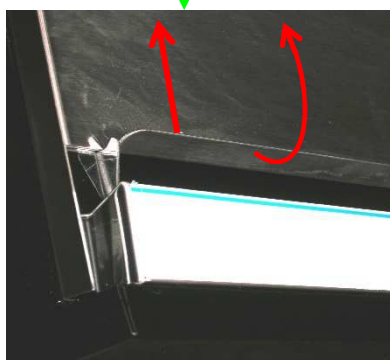
At the end of service, put the green heating switch to the "0" position

4. CLEANING

- Switch off the display case and let it cool down. After you have made sure that the device is completely shutdown:
- Cleaning of shelves and mirrors (damp cloth or sponge)
- Be careful not to splash liquid on the cabinet during cleaning.
- Do not use pressurized steam
- Clean your display cabinet after each day of use with a non-detergent abrasive. see Megaclean All and Megaclean Windows) When cleaning the cabinet, do not use a scraping pad.
- In case of food residue encrusted inside the trays, use only a spatula or a sponge impregnated with vinegar and lukewarm water.

BE CAREFUL NOT TO LEAVE DETERGENT RESIDUE

OPENING OF THE PLATE:



Push back the plate to disengage pins on each side. Lift it up and pull it towards you to remove it completely.

5. INSTALLATION

Before connecting and starting up the display case, please make sure that the reservations electricians are carried out. These works remain the responsibility of the customer user, who must have them carried out by companies approved, near the location of the device.

5.1. SETTING UP

UNPACKING

Unpack the furniture which is strapped, wrapped and fixed on a pallet.

Dispose of the packaging according to the standards in force.

5.2. ELECTRICAL CONNECTION

Electrical supply: 230V single-phase + neutral + earth, or 400V three-phase + earth (see table on page 2).

Check that the mains voltage corresponds to the electrical characteristics indicated on the nameplate.

In all cases, connect the earth.

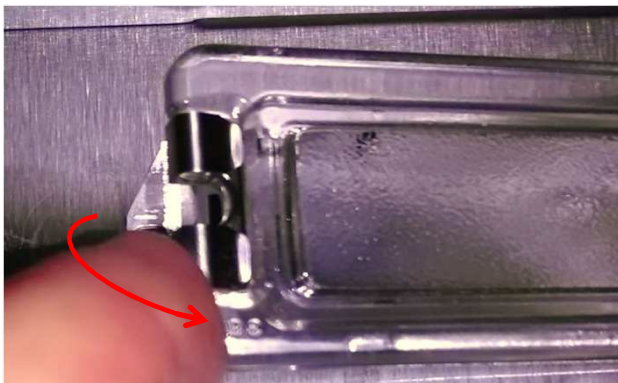
5.3 USE:

In case of partial use, 1 to 3 shelves,

Start with the top shelf.

6. REPLACING HALOGEN LAMPS THE UNIT REAR

- Switch off the display case and let it cool.

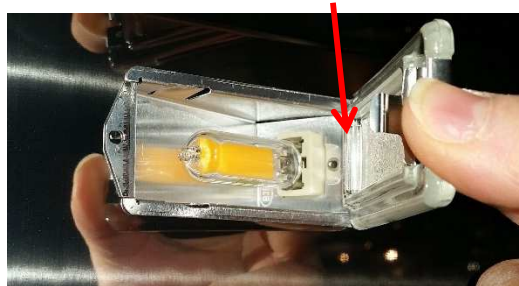


Unclip the glass by pulling on the tab



Change the G9 led lamp (420lumens) Replace the glass by fitting it and clip it

Do not touch the lamps with your fingers to replace them, use a clean cloth.



BAND POSITIONING (OPTION)

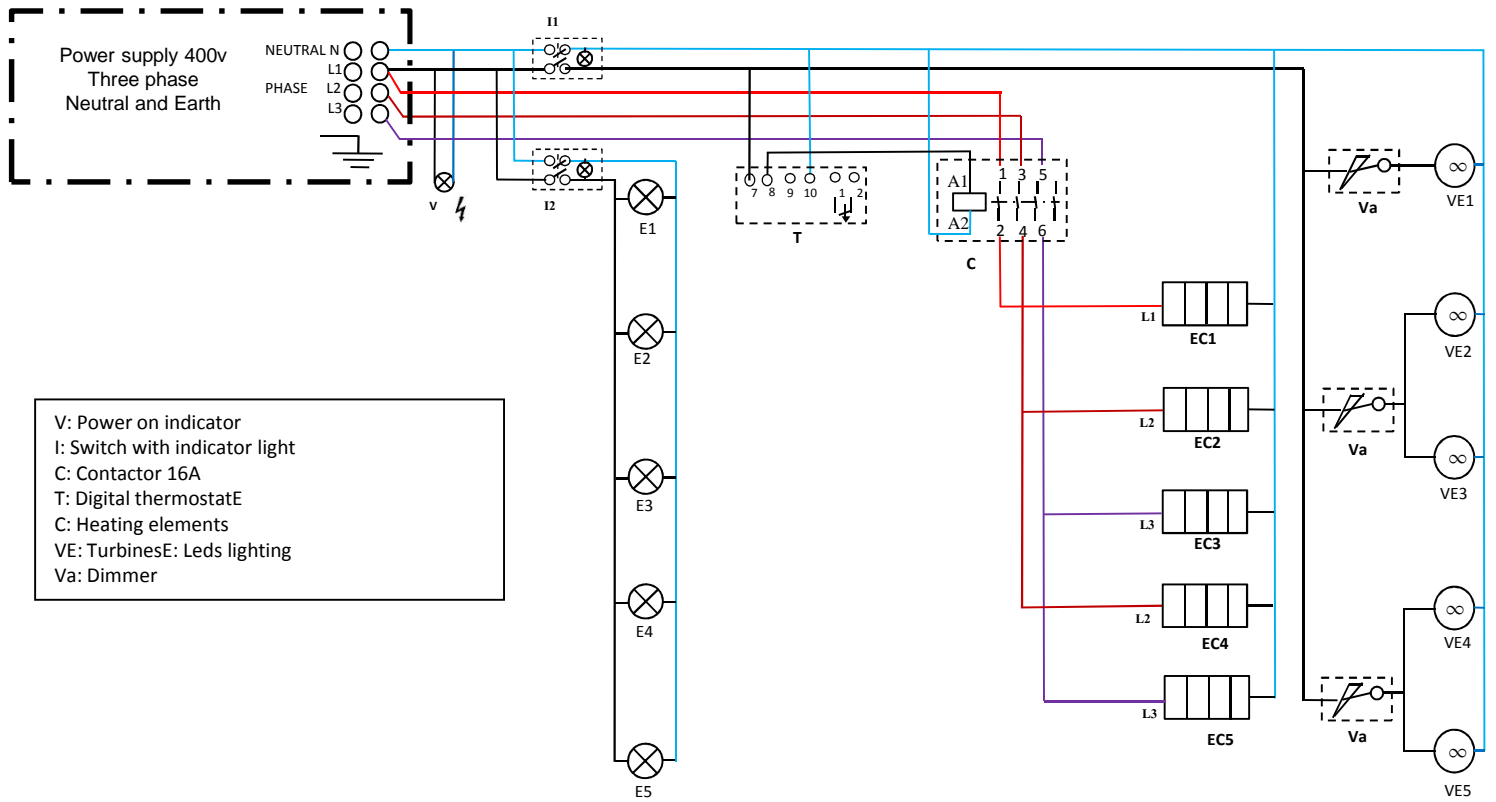
- Positioning band (GLB 6MCV or GLB10MCV with inscription "GRAB & GO") above the cabinet with 2 fixing brackets.
- Fixing of each fixing bracket with 2 M4 screws



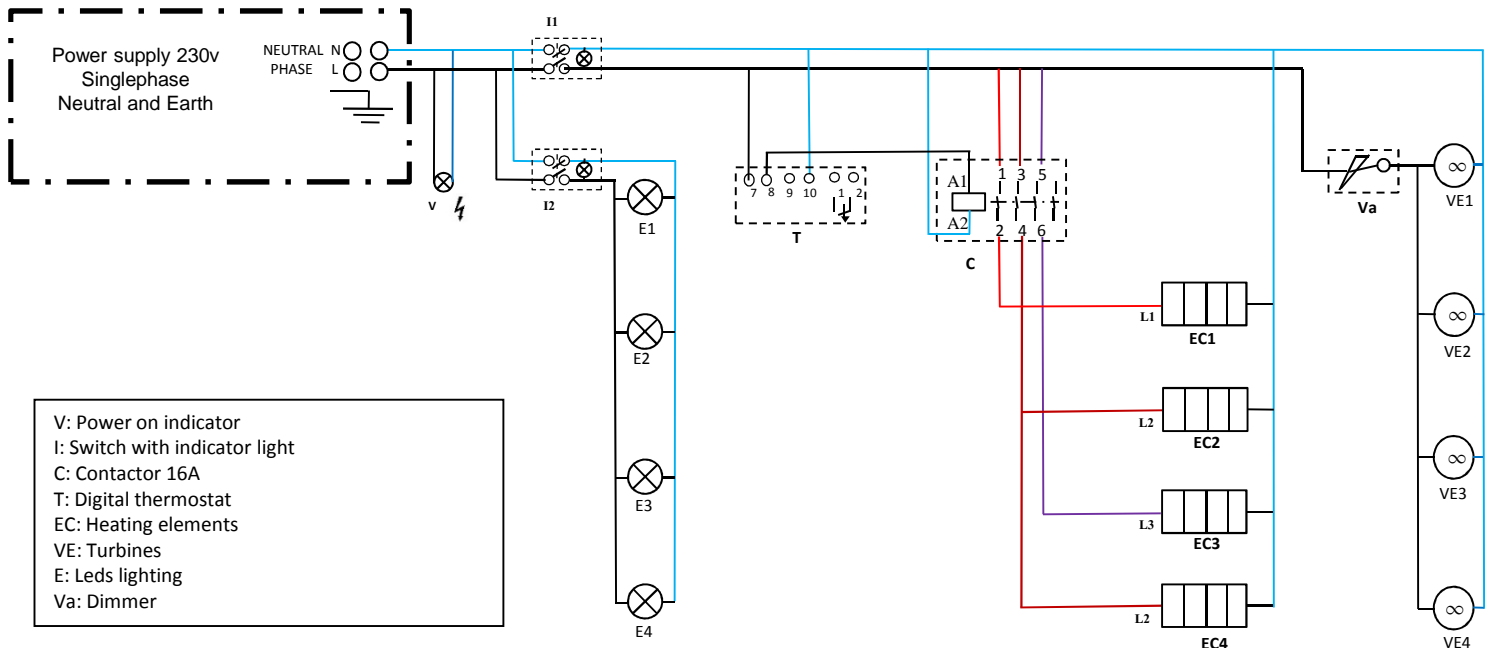
fixing brackets



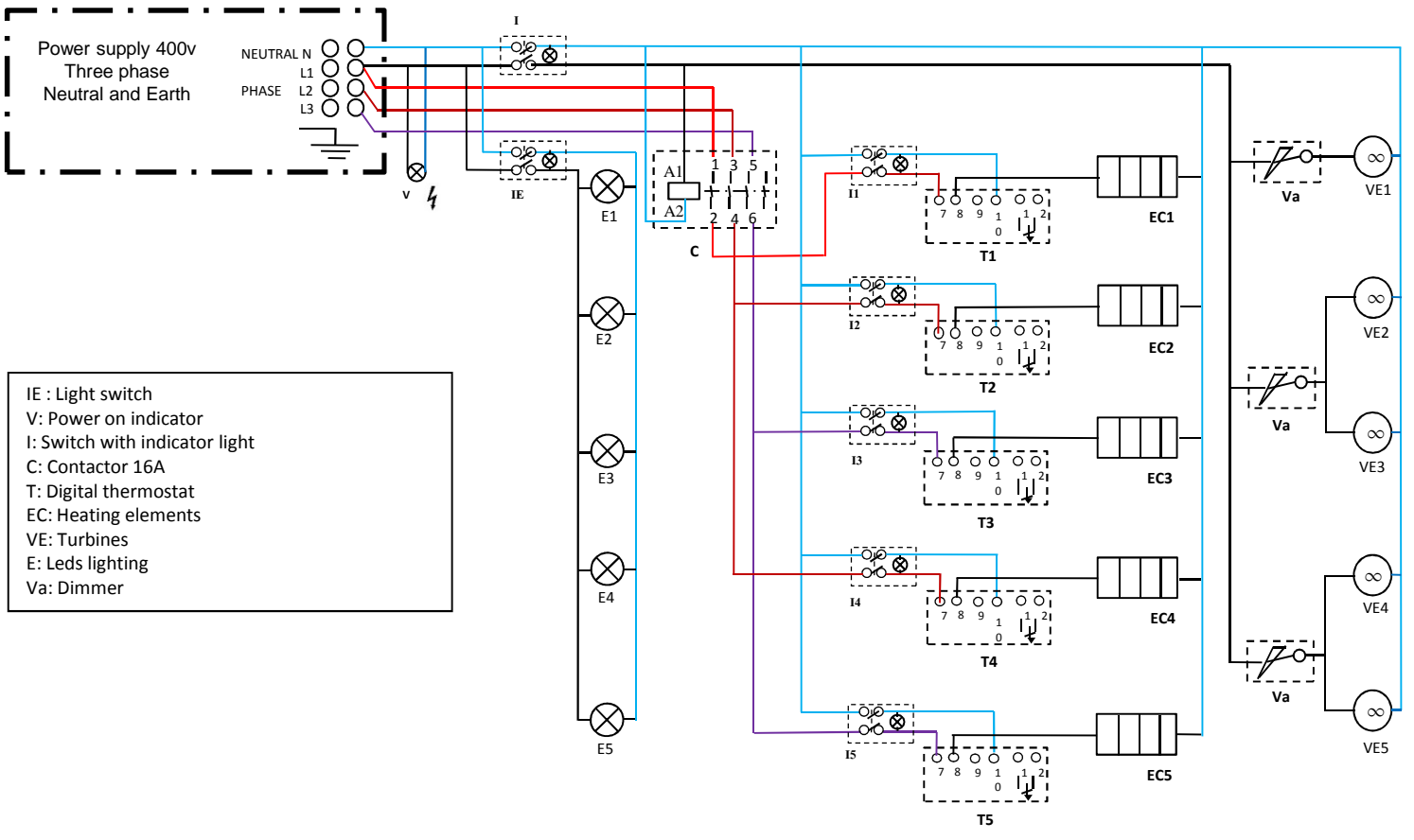
10MCMV5LS - 10MCMV4LS - 6MCMV5LS



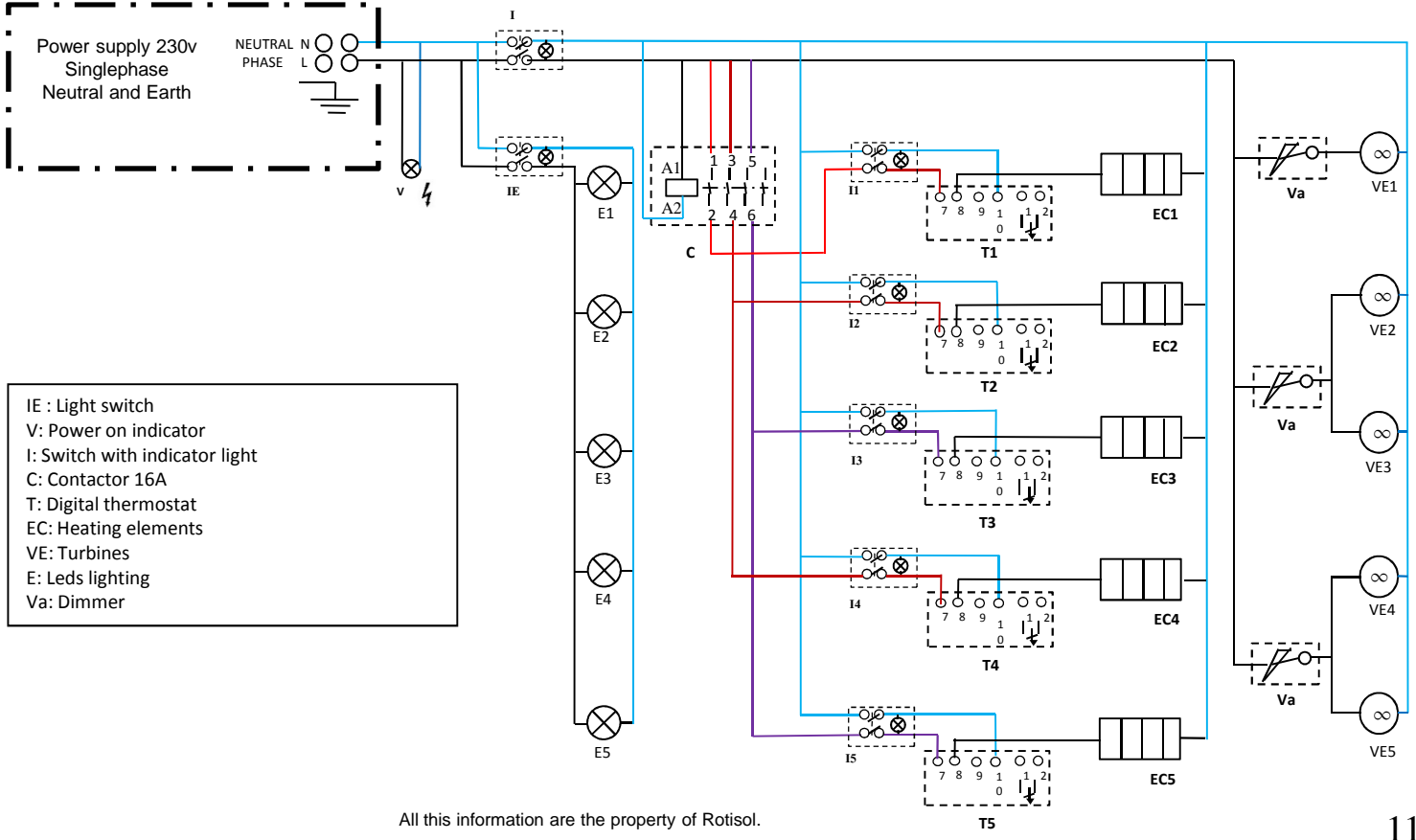
4MCMV4LS - 6MCMV4LS



10MCV5LS.I - 10MCV4LS.I - 6MCV5LS.I



4MCV4LS.I - 6MCV4LS.I



8. CHECKING THE GOODS

Products travel at the risk of the buyer. Its responsibilities therefore include as the recipient, not give the order the carrier to unload the material only after ensuring the condition of the equipment delivered. Imprecise reservations such as "subject to unpacking" and "SUB QUALITY CONTROL RESERVE OR QUANTITY "have no legal value.

Upon receipt of goods, proceed as follows:

- Check in presence of the delivery, condition, quality, quantity of products delivered, even if the packaging appears externally in good condition. If there are reservations to be made, they must be accurately on the right of the carrier.
- If the carrier does not agree to remain present for this control, focus on the delivery "REFUSAL OF CARRIER TO ATTEND UNPACKING" and prevent officials the transport company.
- Reservations must be confirmed to the carrier within three days, by registered letter return receipt requested, with copies to Rotisol.
- Failure to follow this procedure will void the carrier and at the expense of Rotisol recipient.

9. WARRANTY

Rotisol guarantee for a period of 12 months from the invoice date to the specification by Rotisol manufacturing. In case of manufacturing defect, the procedure for exchange or repair of products recognized as defective.

The exchange of parts under warranty requires the buyer to provide a copy of the original invoice of the goods.

The cost and risks of transportation, the cost of dismantling, reassembling, spare parts and repair costs site (staff, accommodation and equipment) are the responsibility of the buyer.

The warranty does not cover defects that come from the non-compliance of the installation, the product (improper installation, connection error, overvoltage, lightning, ect...), and incorrectly used modification or intervention by the purchaser or a third party.

Are excluded from the benefit of the guarantee the following items: mirrors, glass, quartz halogen lamps, granite, light bulbs, gaskets. We advise our clients to take out insurance « broken windows ».

To obtain warranty, all defective parts must be returned to 8 days. The parts under warranty are sent out at costs to the customer and are reimbursed upon receipt of defective parts, after inspection in our workshops.

Products replaced under warranty are guaranteed themselves for the remaining term to run under the original warranty.

Past 12 month warranty, all new parts replaced or shipped, pay the postage

or labor force and displacement and will be guaranteed three months from the date of invoice.

In case of dispute the customer will be required to provide the original invoice, the absence of this document will void the warranty.

Any technical assistance from Rotisol will be bill to the customer.

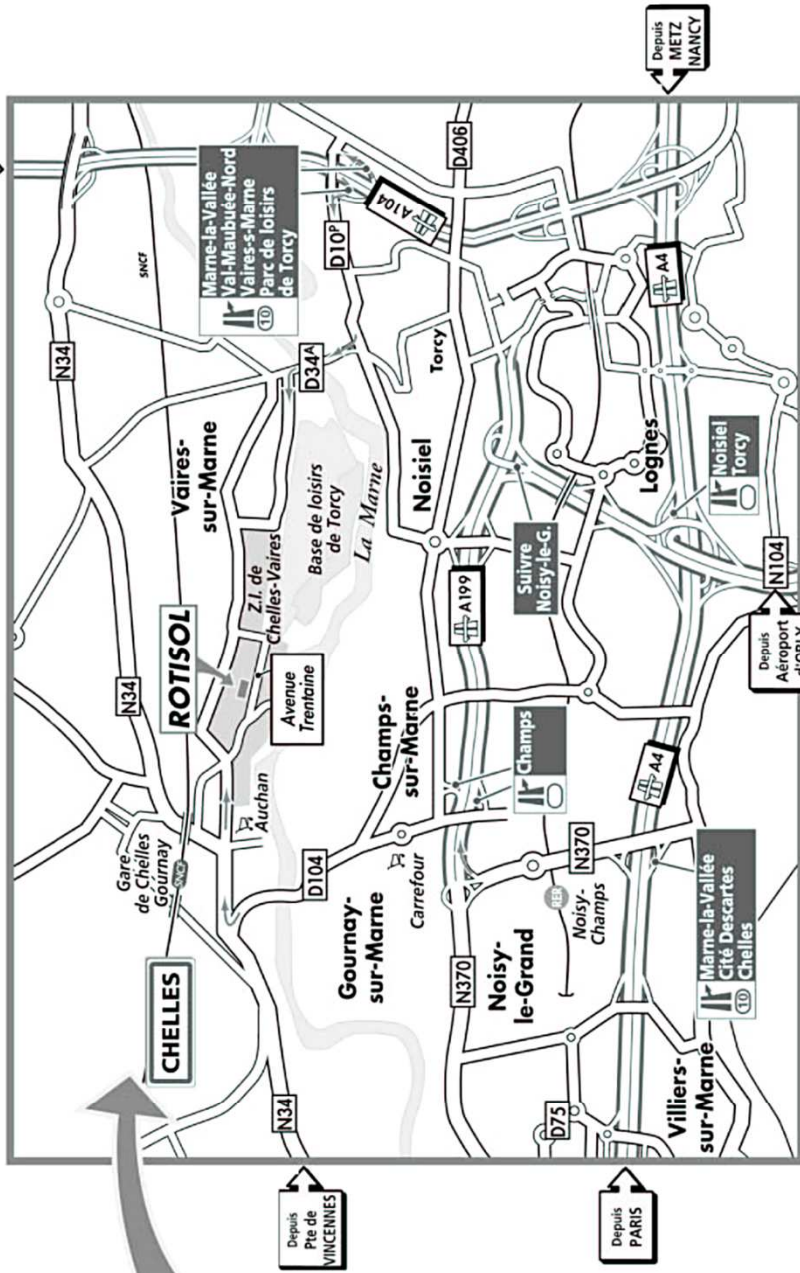
ROTISOL-EST Sp-z o.o.

ul. Przemysłowa 7c 11-700 MRAGOWO POLAND
 Tel. / fax : 0048 89 741 32 70 - Tel. : 0048 89 741 16 05
 Tel. kom : 0048 0603 634 927
 E-mail: info@rotisol.com.pl www.rotisol.pl

ROTISOL France, Inc

415 W. Walnut - St GARDENA, CA90248-USA
 Toll free: 800 651 5969 Tél: (310) 671 7254 Fax: (310) 671 8171
 E-mail: info@rotisolusa.com www.rotisolusa.com

PLAN D'ACCÈS



Depuis Paris : rejoindre la Porte de Bercy puis la A4 direction Marne-la-Vallée / Metz / Nancy.

Prendre la sortie 10 Marne-la-Vallée / Cité Descartes / Chelles. Continuer sur la N370 puis sur la A199 direction Champs-sur-Marne / Chelles. Prendre la première sortie Champs (puis voir plan).

Ou : depuis Porte de Vincennes, suivre la N34 en direction de Chelles (puis voir plan).

Ou : depuis Paris, prendre la A4 direction Marne-la-Vallée / Metz / Nancy, puis suivre la Francilienne A104 direction Marne-la-Vallée / Aéroport CDG / Lille. Prendre la sortie 10 Marne-la-Vallée / Val Maubuée Nord / Vaires-sur-Marne / Parc de Loisirs Torcy (puis voir plan).

Depuis Aéroport d'Orly : rejoindre la N7 en direction de Créteil pour emprunter la A86 en direction de Marne-la-Vallée. Prendre ensuite la A4 direction Metz / Nancy puis suivre la Francilienne A104 direction Marne-la-Vallée / Aéroport CDG / Lille. Prendre la sortie 10 Marne-la-Vallée / Val Maubuée Nord / Vaires-sur-Marne / Parc de Loisirs Torcy (puis voir plan).

Depuis Aéroport Charles-de-Gaulle (CDG) : rejoindre la A1 en direction de Paris, puis suivre la Francilienne A104 direction Marne-la-Vallée. Prendre la sortie 10 Marne-la-Vallée / Val Maubuée Nord / Vaires-sur-Marne / Parc de Loisirs Torcy (puis voir plan).

Depuis Metz / Nancy : rejoindre la A31 en direction de Paris, puis suivre la Francilienne A104 direction Marne-la-Vallée / Val de Lagny / Lagny-sur-Marne. Prendre la sortie 10 Marne-la-Vallée / Val Maubuée Nord / Vaires-sur-Marne / Parc de Loisirs Torcy (puis voir plan).

Depuis Paris en train : Gare de l'Est, direction Meaux. Descendre à la Gare de Chelles / Gournay (30 minutes).

Depuis Paris en RER : prendre le RER E4 (EOLE) à la station Haussmann / Saint-Lazare en direction de Chelles / Gournay. Descendre à la station de RER Chelles / Gournay (20 minutes).