

# MARBURG

## SPARE PARTS & MAINTENANCE MANUAL



**Item number: 440-1010**



# MARBURG

## SPARE PARTS & MAINTENANCE MANUAL

### INHALTSTABELLE

GENERELLE INFORMATIONEN	4
AUFSTELLUNGSZEICHNUNG	8
ELEKTRISCHE ZEICHNUNG	9
MONTAGE DER ERSATZTEILE	10

### TABLE OF CONTENTS

GENERAL INFORMATION	5
INSTALLATION DRAWING	8
ELECTRICAL DRAWING	9
SPARE PARTS ASSEMBLY	10

### TABLE DES MATIÈRES

GÉNÉRALITÉS	6
PLAN D'INSTALLATION	8
PLAN DE MONTAGE ÉLECTRIQUE	9
MONTAGE DES PIÈCES DE RECHANGE	10

### TABLE DES MATIÈRES

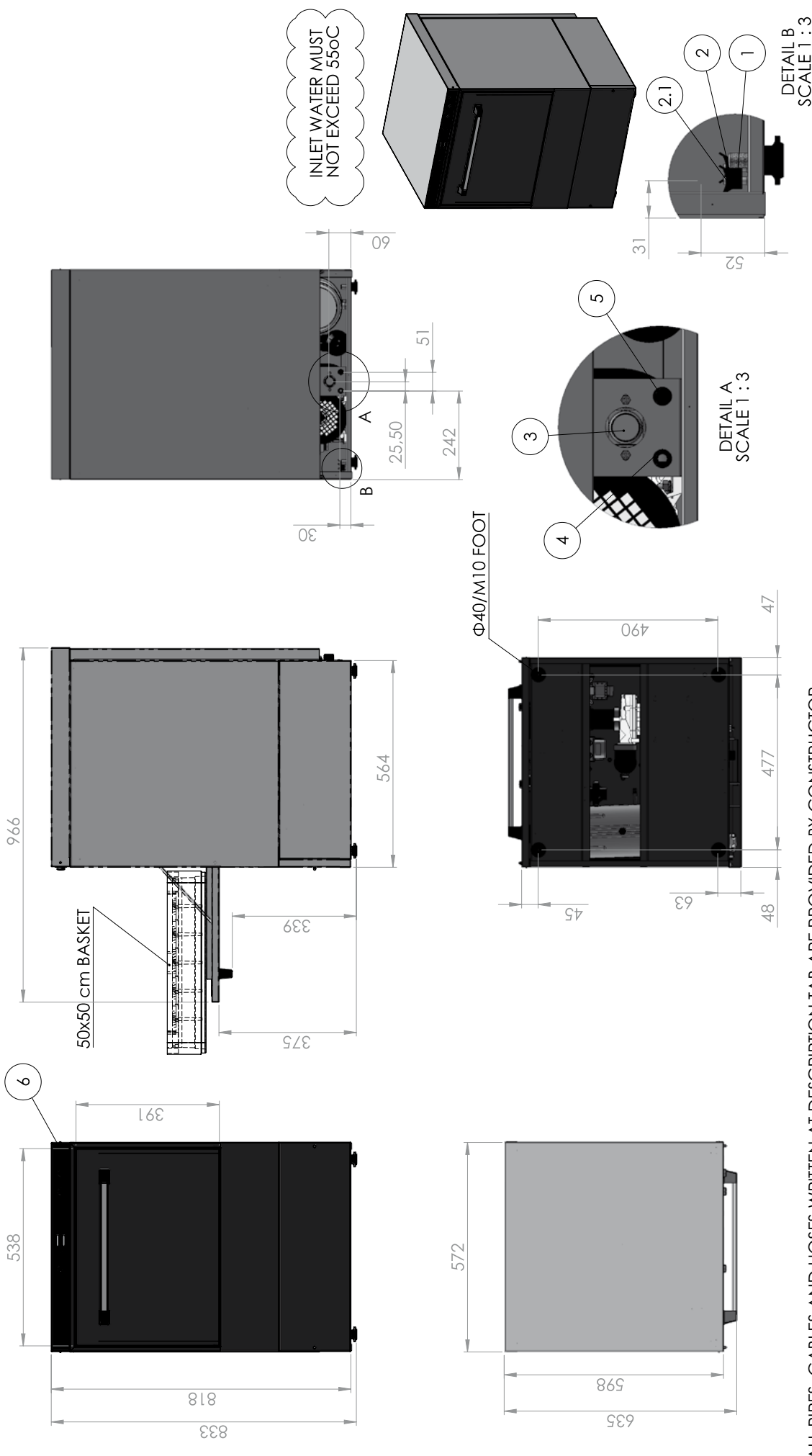
INFORMACIÓN GENERAL	7
DISEÑO DE INSTALACIÓN	8
DISEÑO ELÉCTRICO	9
MONTAJE DE PIEZAS DE RECAMBIO	10

<b>Model</b>	<b>Marburg</b>
Stromversorgung	230 V 50/60 Hz
Max. Leistung	3,6 Kw
Max. Belastung	15,4 A
Boiler-Heizung	3 Kw
Tank-Heizung	2,8 Kw
Boiler-Kapazität	6 Lt
Tank-Kapazität	35 Lt
Wasserverbrauch pro Zyklus	1,7 Lt
Externe Dimensionen	570 x 600 x 830 mm
Korbgröße	500 X 500 mm
Waschprogramme	120 sec
Überblick der Zubehörteile	2 Körbe für Gläser
	4 Einebnungsangel
	1 Messerkorb
	1 Wassereinlaufschlauch
	1 Druckminderer
Wasch- und Spülgruppe	Edelstahl
Pumpenmotor	0,1 hp
Spülmittelaufgeber	Standard
Klarspüleraufgeber	Pneumatisch
Boilerthermosicherung	105° C Thermosicherung
Tankthermosicherung	99° C Thermosicherung
Boilerthermometer	-
Tankthermometer	-
Ablaufpumpe	-
Max. Glashöhe	240
Max. Tellerhöhe	-
Max. Geräusch	67,2 dB

<b>Model</b>	<b>Marburg</b>
Power Supply	230 50/60 Hz
Max Power	3,6 Kw
Max Load	15,4 A
Boiler Heater	3 Kw
Tank Heater	2,8 Kw
Boiler Capacity	6 Lt
Tank Capacity	35 Lt
Water Consumption per cycle	1,7 Lt
Ex. Dimensions	570 x 600 x 830 mm
Basket Size	500 X 500 mm
Washing Programms	120 sec
Overview Accessories	1 basket for dishes & 1 basket for glasses
	4 leveling feet
	1 Cutlery basket
	1 Water inlet hose
	1 Pressure reducer
Wasch and Rinse Group	Stainless steel
Pump Motor	0,75 hp
Detergent Feeder	Standard
Rinse Aid Feeder	Pneumatic
Boiler Thermofuse	105° C thermofuse
Tank Thermofuse	99° C Thermofuse
Boiler's Thermometer	std analogical
Tank's thermometer	std analogical
Draining Pump	-
Maximum Glass Height	325
Maximum Dish Height	335
Maximum Noise	72,4 dB

<b>Modèle</b>	<b>Marburg</b>
Alimentation	230 V 50/60 Hz
Puissance max	3,6 Kw
Charge max	15,4 A
Élément chauffant ballon	3 Kw
Élément chauffant cuve	2,8 Kw
Capacité du ballon	6 L
Capacité de la cuve	35 L
Consommation d'eau par cycle	1,7 Lt
Dimensions Ext.	570 x 600 x 830 mm
Dimensions Panier	500 X 500 mm
Programmes de lavage	120 sec
Liste d'Accessoires	1 panier à assiettes & 1 panier à verres
	4 pieds réglables
	1 panier à couverts
	1 tuyau d'arrivée d'eau
	1 réducteur de pression
Ensemble lavage et rinçage	acier inoxydable
Moteur de pompe	0,75 hp
Réservoir à détergent	Standard
Réservoir à liquide de rinçage	pneumatique
Fusible thermique du ballon	Fusible thermique 105° C
Fusible thermique de la cuve	Fusible thermique 99° C
Thermomètre du ballon	Standard analogique
Thermomètre de la cuve	Standard analogique
Pompe de vidange	-
Hauteur maximale des verres	325
Hauteur maximale des assiettes	335
Bruit maximal	72,4 dB

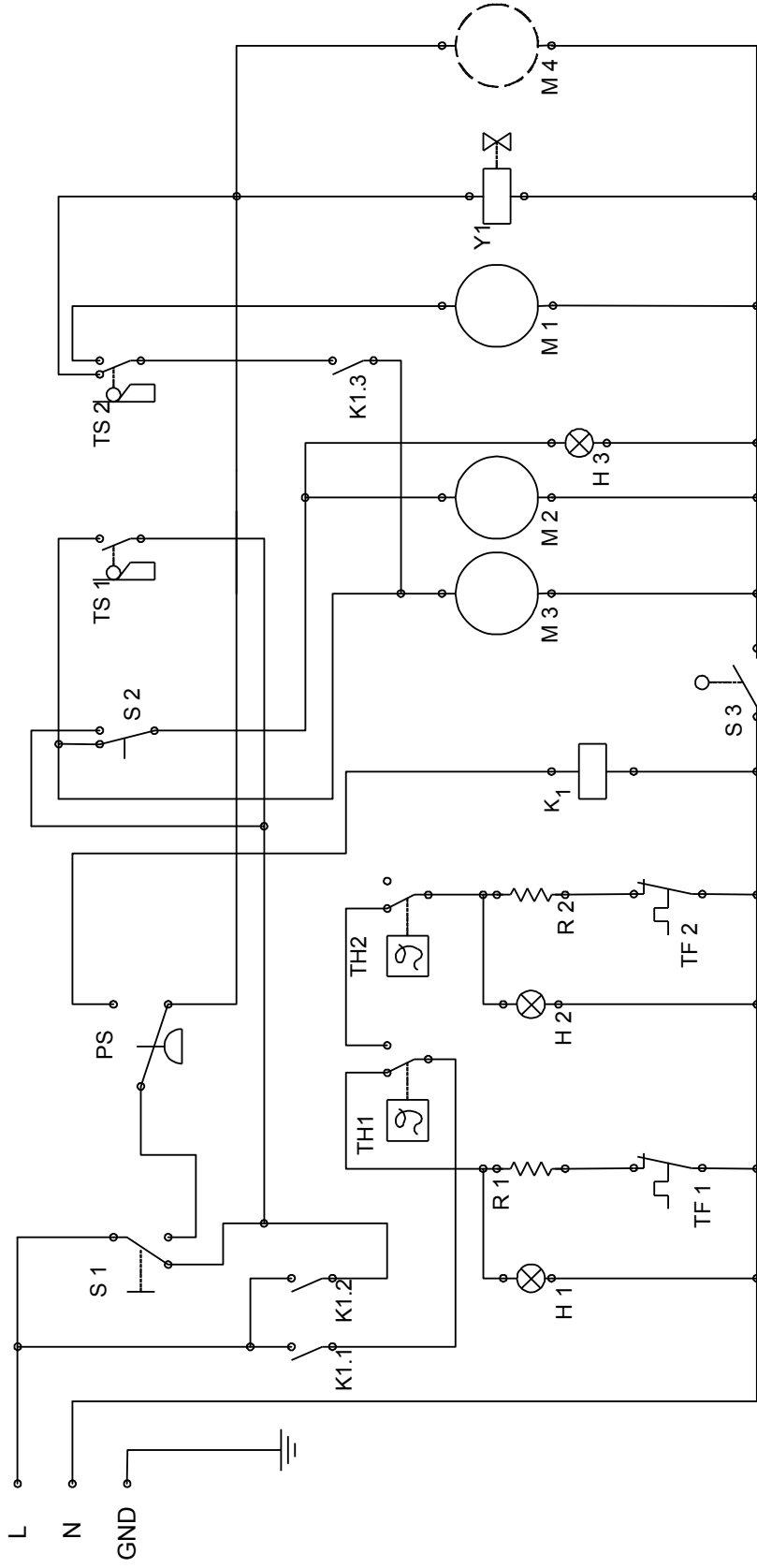
<b>Tipo</b>	<b>Marburg</b>
Suministro Eléctrico	230 V 50/60 Hz
Potencia Máxima	3,6 Kw
Carga Máxima	15,4 A
Calentador de Caldera	3 Kw
Calentador de Cuba	2,8 Kw
Capacidad de Caldera	6 Lt
Capacidad de Cuba	35 Lt
Consumo de Agua por ciclo	1,7 Lt
Dimensiones exteriores	570 x 600 x 830 mm
Tamaño de Cesto	500 x 500 mm
Programas de Lavado	120 segundos
Accesorios incluidos	1 cesto para platos y 1 cesto para vasos
	4 patas de nivelación
	1 cesto de cuchillería
	1 manguera de entrada de agua
	1 reductor de presión
Grupo de Lavado y Aclarado	acero inoxidable
Motor de bomba	0,75 hp
Dosificador de detergente	estándar
Dosificador de abrillantador	neumático
Fusible Térmico de Caldera	Fusible térmico de 105o C
Fusible Térmico de Cuba	Fusible térmico de 99o C
Termómetro de Caldera	estándar analógico
Termómetro de Cuba	estándar analógico
Bomba de Drenaje	-
Altura máxima de vasos	320
Altura máxima de platos	335
Ruido máximo	72,4 dB



ALL PIPES, CABLES AND HOSES WRITTEN AT DESCRIPTION TAB ARE PROVIDED BY CONSTRUCTOR

Customer:		Order Date:		Or. Number:		MACHINE PROPERTIES		BUBBLE INFORMATION		
Series Description:	Model Version:	Drawing Code:	Drawing Date:	Capacity (LT)	Weight (KG)	Max. Amp./Phase	Max. Loading (KW)	A/A	DESCRIPTION	NOTE
UNDERCOUNTER	230 V	004-50.00009		Boiler	Net	15.6A		1.	Electrical Supply Connection cable Pos.	PVC Coated H05 VVF 3 x 2.5mm, Cable Length = 2m
				Tub	Gross			2.	Draining Pipe (1.6m) Φ28 Outer Φ24 Inner Pos.	Used Only for Free Flow , Drainage Without Pump
				6	60			2.1	Draining Pipe (1.6m) Φ25 Outer Φ20 Inner Pos.	Only With Draining Pump Included (Hman = 0,7m MAX)
								3.	Inlet Male Nozzle Threaded End G3/4" for Water Supply	To Flexible Pipe Water Inlet Threaded Female Ends G 3/4" (Flexible Pipe Length = 1,5m)
								4.	Rinse Aid Flexible Pipe Pos. (Blue Color)	Outer Diameter Φ6 x 1400mm Length
								5.	Detergent Flexible Pipe Pos. (Crystal Color)	Outer Diameter Φ6 x 1400mm Length
								6.	Control Panel	
<b>Various Information:</b>										





**ELECTRICAL DIAGRAM**

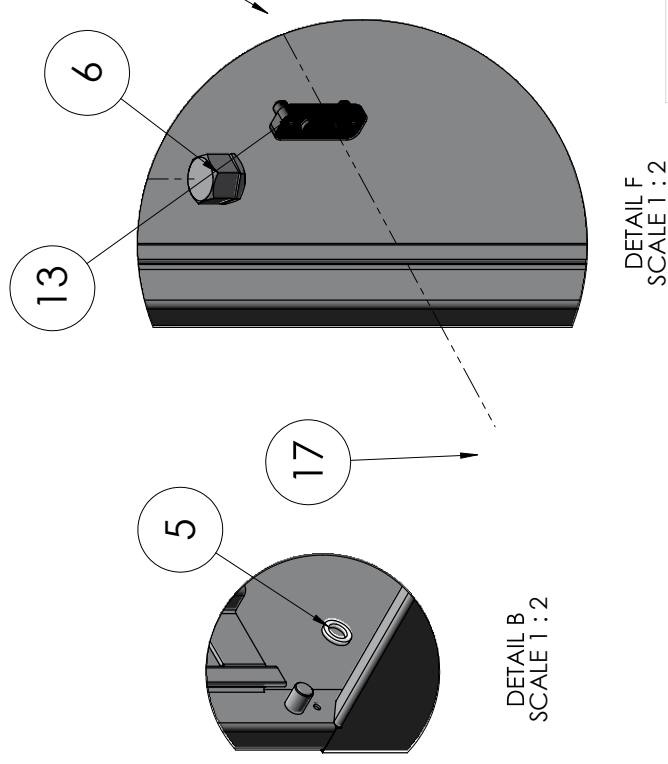
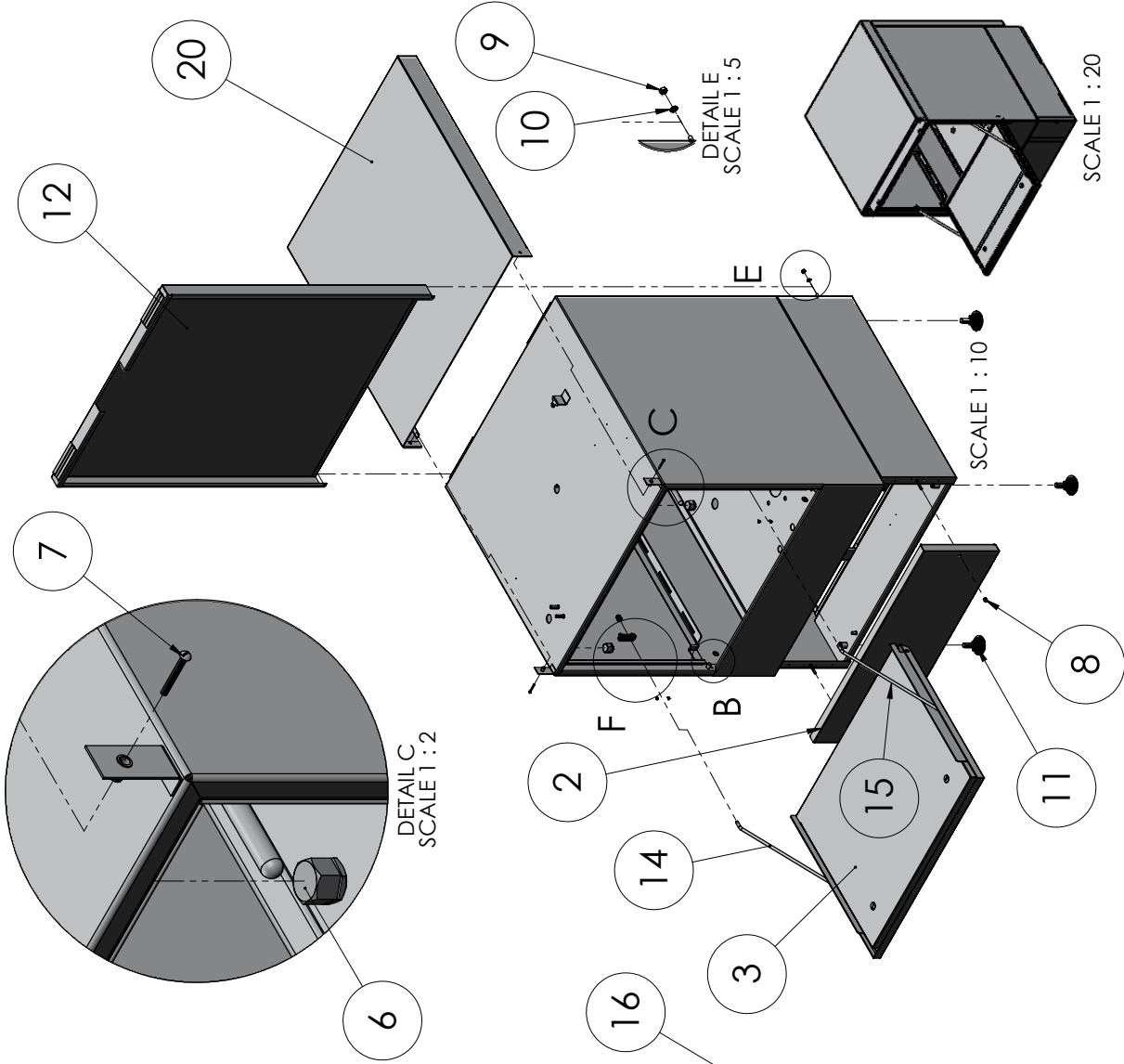
**004.50.00036**

220-240 Volt AC 50/60 Hz

Max 3600 W 15.6 A

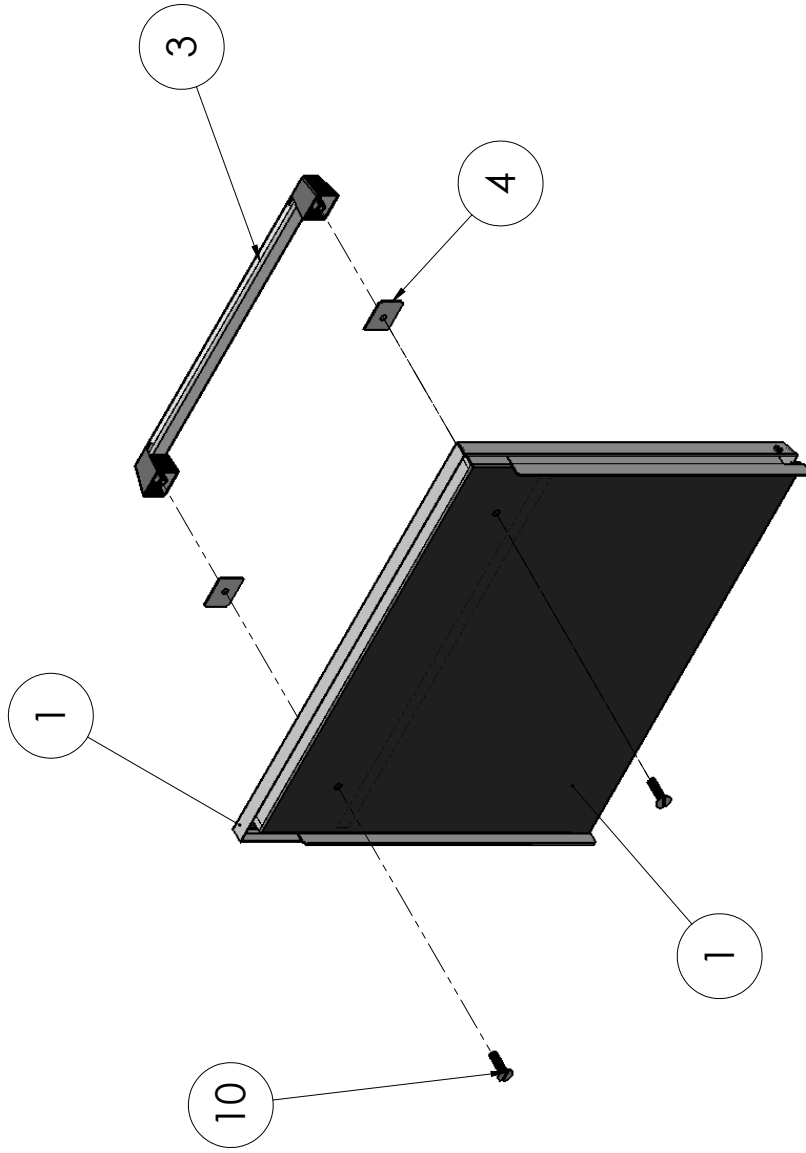
- S 1 : Main switch
- S 2 : Start switch
- S 3 : Doors cut off switch
- K 1 : Relay
- R 1 : Boilers/Boosters heating element
- R 2 : Tanks heating element
- Y : Water inlet valve
- H : Indicator lamp
- M 1 : Wash pump motor
- M 2 : Timers motor
- M 3 : Drainage pump motor
- M 4 : Detergent pump motor
- TF : Thermofuse
- PS : Pressure switch
- TS : Timers microswitch
- TH : Thermostat

ITEM NO.	PART NUMBER	DESCRIPTION	QTY.
2	001.50.00048	FRONT COVER INOX V50	1
3	001.50.00046	DOOR COMPLETE V50 - K50	1
5	001.00.00045	TEFLON WASHER Ø12,5 X 8 X 2,5	2
6	001.00.00051	DOOR SNAP SET	2
7	001.00.00213	INOX SCREW M4X15	2
8	001.00.00117	DOME NUT M4	2
9	002.00.00095	INOX NUT M4	2
10	002.00.00140	LOCK WASHER INOX Ø4	2
11	001.00.00016	SMALL BLACK FOOT V500	4
12	001.50.00043-1	BACK COVER INOX V50 - K50	1
13	001.00.00221	PLASTIC GUIDE FOR DOOR AXLE	2
14	001.00.00048-M	DOOR LEFT SUPPORT AXLE M6X300	1
15	001.00.00048	DOOR RIGHT SUPPORT AXLE M6X300	1
16	001.00.00110	DOMED CAP NUT M6	2
17	001.00.00073	INOX SCREW 2,9 X 10	4
20	001.50.00015	UPPER COVER INOX V50 - K50	1



ITEM CODE:	ITEM DESCRIPTION: STEEL STRUCTURE	PAGE: 1	REVISION: 0
MODEL VERSION:	MODEL CODE: 004.50.00009		
SERIES DESCRIPTION: UNDERCOUNTER	MODEL DESCRIPTION:		

ITEM NO.	PART NUMBER	DESCRIPTION	QTY.
11	001.50.00011	BACK PART OF THE DOOR V-K	1
12	001.50.00027	FRONT PART OF THE DOOR V-K	1
3	001.00.00118	DOOR HANDLE COMPLETE V-K	1
4	002.00.00057	DOOR HANDLE PLASTIC FLANGE	2
10	003.00.00211	INOX COUNTERSUNK BOLT M8X30	2



SCALE 1 : 5

ITEM CODE: 001.50.00046

MODEL VERSION:

ITEM DESCRIPTION: DOOR COMPLETE

MODEL CODE:004.15.00000

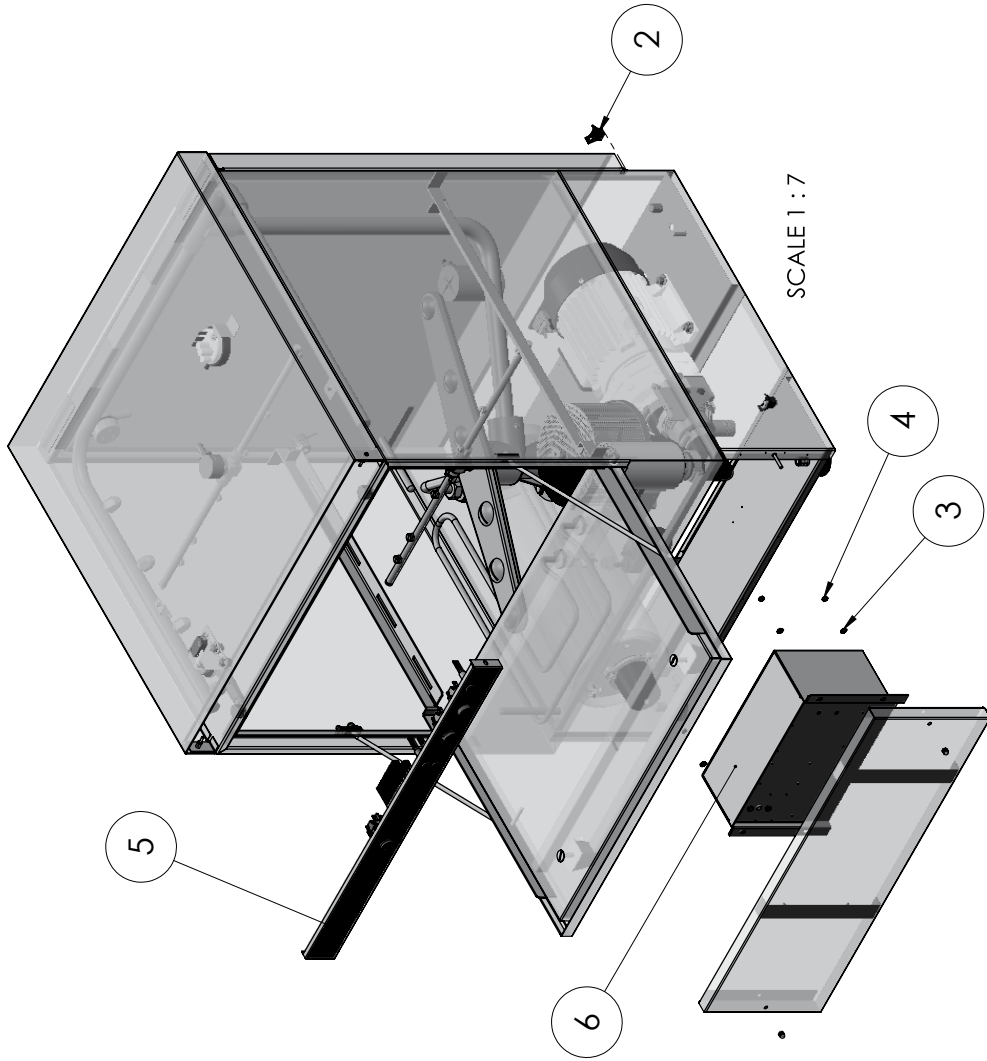
PAGE: 1

REVISION: 0

MODEL DESCRIPTION:

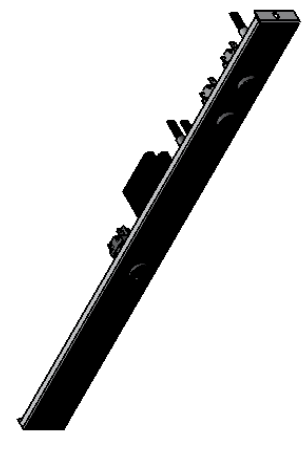
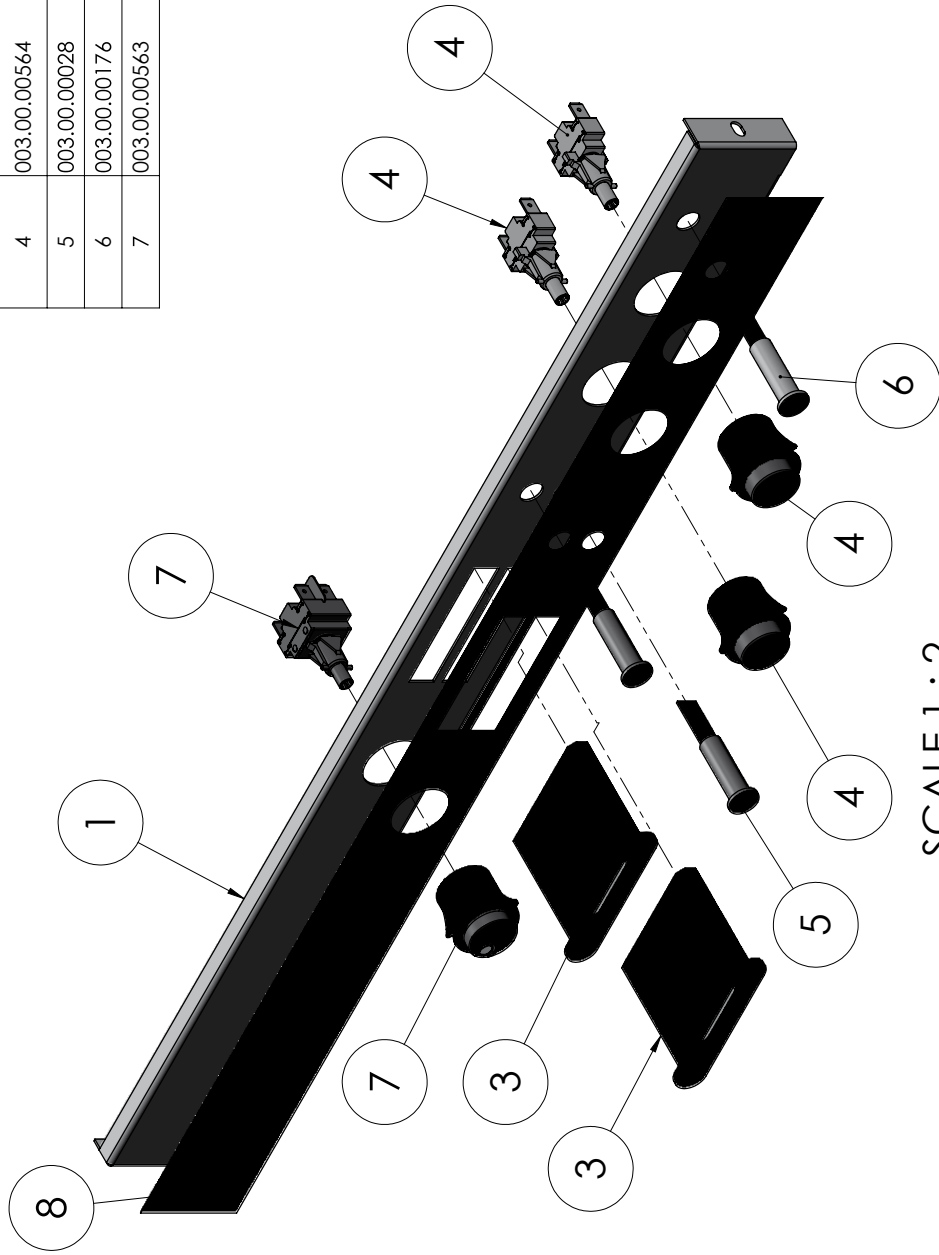
SERIES DESCRIPTION: UNDERCOUNTER

ITEM NO.	PART NUMBER	DESCRIPTION	QTY.
2	003.00.00494	CABLE PLASTIC CLAMP	2
3	002.00.00140	LOCK WASHER INOX Ø4	4
4	003.00.00046	NUT M4 (GALV)	4
5	003.50.00002	DISPLAY PANEL COMPLETE V50	1
6	006.50.00002	ELECTRICAL BOX COMPLETE 230V~N 50/60Hz	1



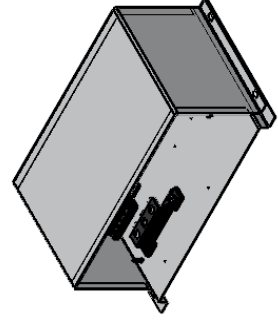
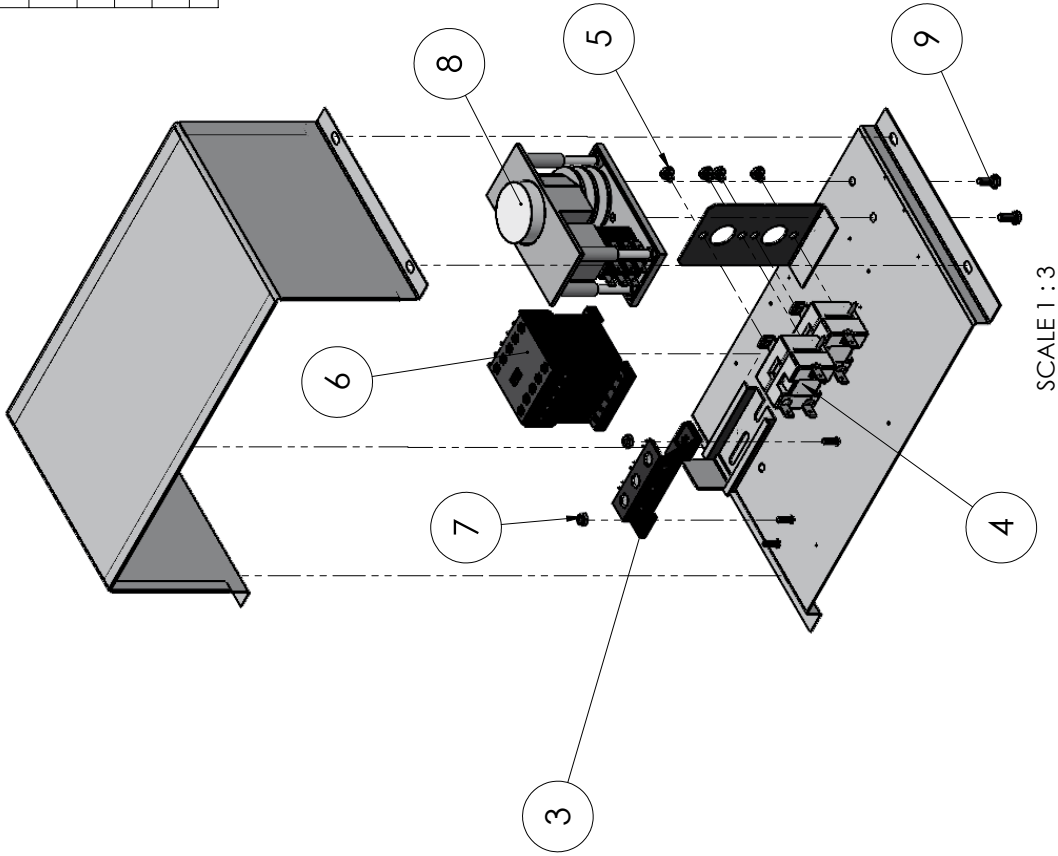
ITEM CODE:	ITEM DESCRIPTION: ELECTRICAL EQUIPMENT
MODEL VERSION:	MODEL CODE:004.50.00090
MODEL DESCRIPTION:	PAGE: 1
SERIES DESCRIPTION: UNDERCOUNTER	REVISION:

ITEM NO.	PART NUMBER	DESCRIPTION	QTY.
1	001.50.00044	SWITCH PANEL INOX V50	1
8	003.50.00009	MEMBRANE FOR VERGINA50	1
3	003.00.00505	THERMOMETER 2500mm	2
4	003.00.00564	SWITCH START ROUND TWO CONTACTS	2
5	003.00.00028	INDICATOR ORANGE	2
6	003.00.00176	INDICATOR GREEN	1
7	003.00.00563	SWITCH ON-OFF ROUND 4 CONT.	1



ITEM CODE: 003.50.00002	ITEM DESCRIPTION: DISPLAY PANEL COMPLETE
MODEL VERSION:	MODEL CODE:004.50.00090
SERIES DESCRIPTION: UNDERCOUNTER	PAGE: 1
MODEL DESCRIPTION:	REVISION: 0

ITEM NO.	PART NUMBER	DESCRIPTION	QTY.
3	003.00.00392	POWER SUPPLY BOARD THREE CON.	1
4	003.00.00213	THERMOSTAT 0-90oC 1500mm	2
5	001.00.00076	GALVANIZED MACHINE SCREW M4 X 5	4
6	003.00.00056	MAGNETIC CONTACTOR	1
7	003.00.00046	NIJT M4 (GALV)	2
8	003.00.00448	TIMER 120 SEC. Q.START	1
9	003.00.00278	GALV. BOLT M4X10	2



ITEM CODE: 006.50.00002

ITEM DESCRIPTION: ELECTRICAL BOX

MODEL VERSION:

MODEL CODE:004.50.00090

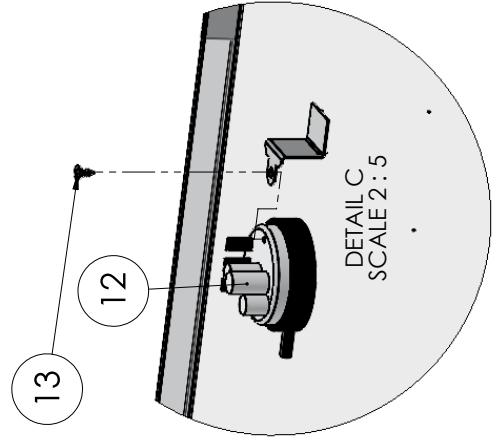
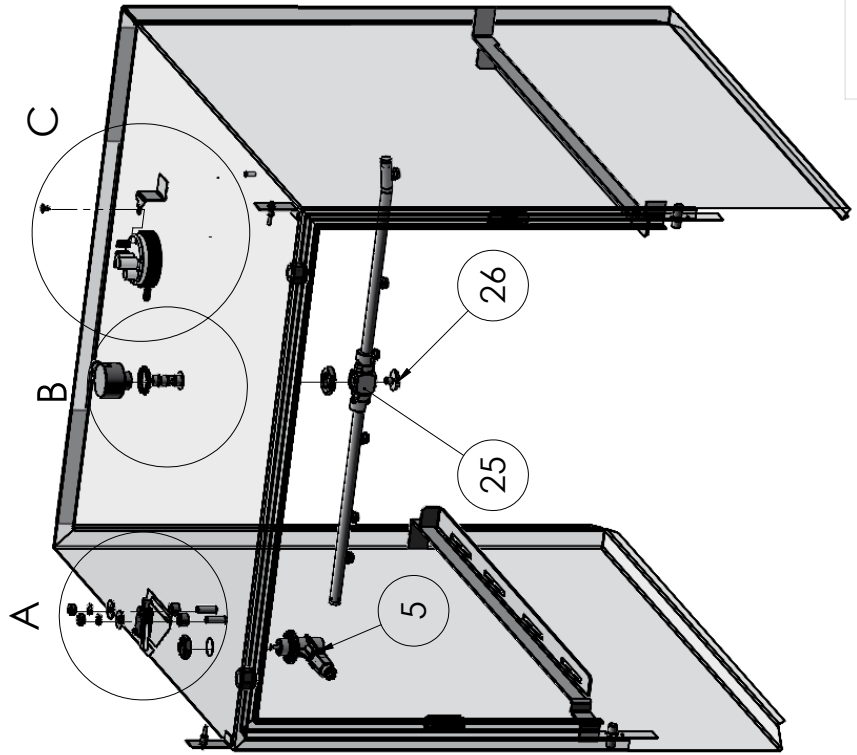
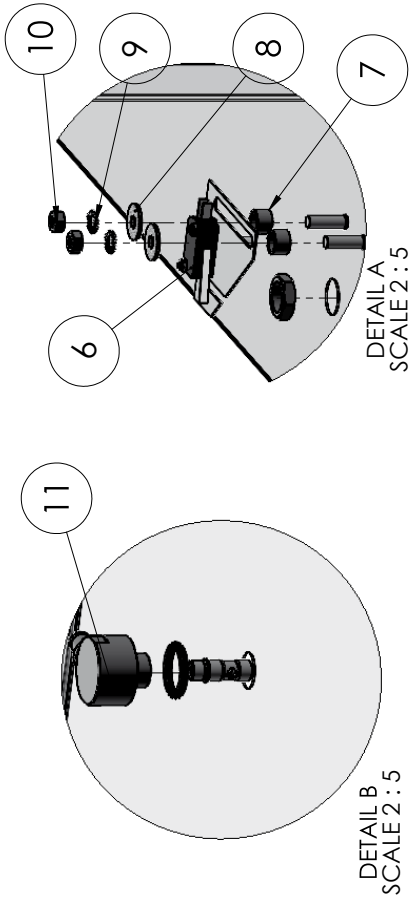
PAGE: 1

REVISION: 0

SERIES DESCRIPTION: UNDERCOUNTER

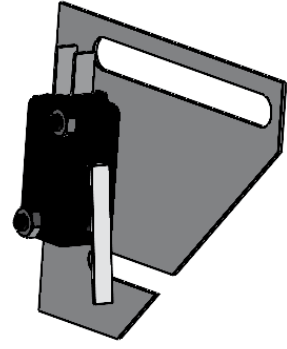
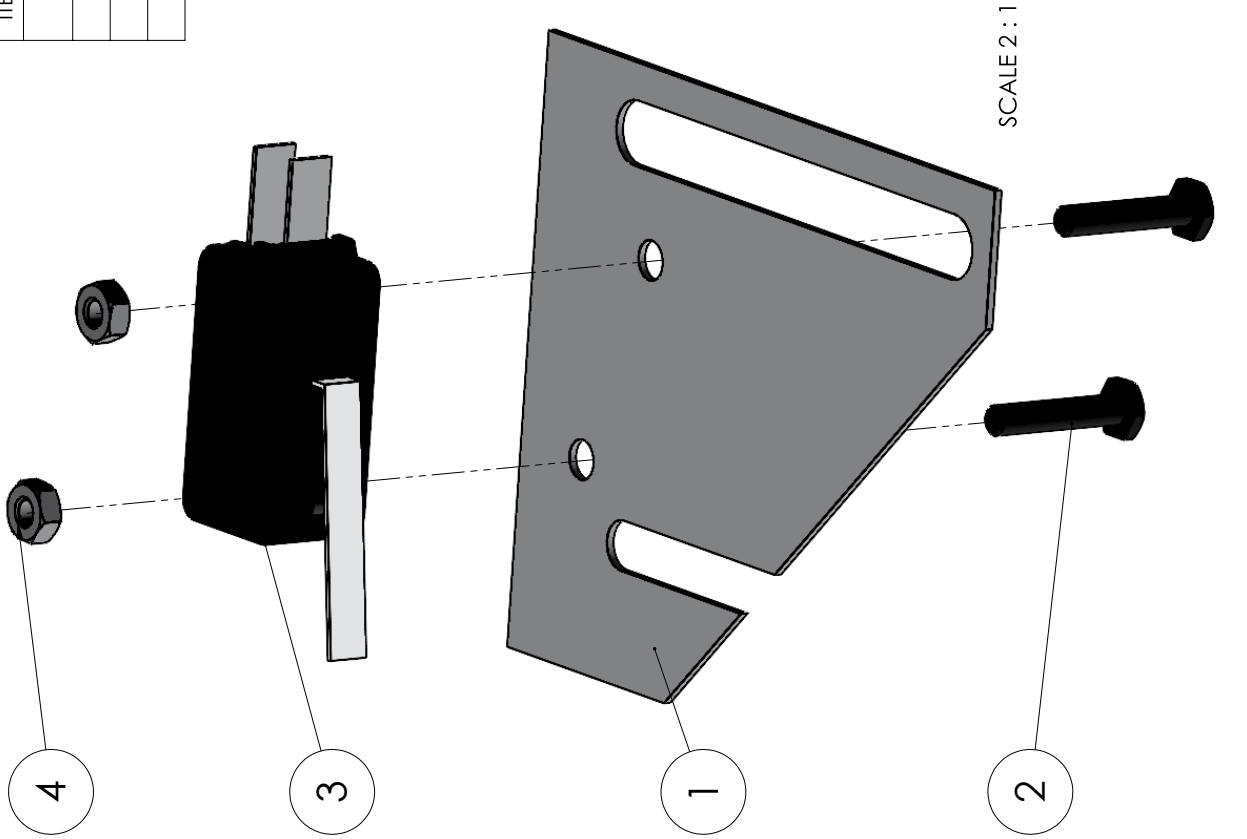
MODEL DESCRIPTION:

ITEM NO.	PART NUMBER	DESCRIPTION	QTY.
5	003.00.00231	DOOR SWITCH MECH. PART	1
6	003.00.00426	DOOR SWITCH EL. PART 35-40-50 COMPLETE	1
7	003.00.00085	SPACER FOR DOOR SWITCH	2
8	003.00.00516	WASHER STEEL $\Phi 6 \times 18$	2
9	001.00.00204	GALVANIZED LOCK WASHER 6,4x11x0,7	2
10	003.00.00041	NUT M6 GALVANISED	2
11	002.35.00029	UPPER RINSING BASE COMPLETE	1
12	003.00.00033	PRESSOSTAT	1
13	003.00.00200	TAPPING SCREW 3.5X9.50	1
25	002.50.00026	RINSING ARM UP OR DOWN V-K	2
26	002.50.00004-1	LOCK NUT FOR RINSING ARM	2



ITEM CODE:	ITEM DESCRIPTION: MECHANICAL EQUIPMENT
MODEL VERSION:	MODEL CODE:004.50.00090
MODEL DESCRIPTION:	PAGE: 3
SERIES DESCRIPTION: UNDERCOUNTER	REVISION: 0

ITEM NO.	PART NUMBER	DESCRIPTION	QTY.
1	003.00.00077	BASE INOX FOR THE ELECTRICAL DOOR SWITCH	1
2	003.00.00065	GALV. HEX. BOLT M3X16	2
3	003.00.00069	DOOR MICRO SWITCH	1
4	002.00.00090	GALV. NUT M3	2



ITEM CODE: 003.00.00426

MODEL VERSION:

ITEM DESCRIPTION: DOOR SWITCH ELECTRICAL PART COMPLETE

MODEL CODE:004.50.00009

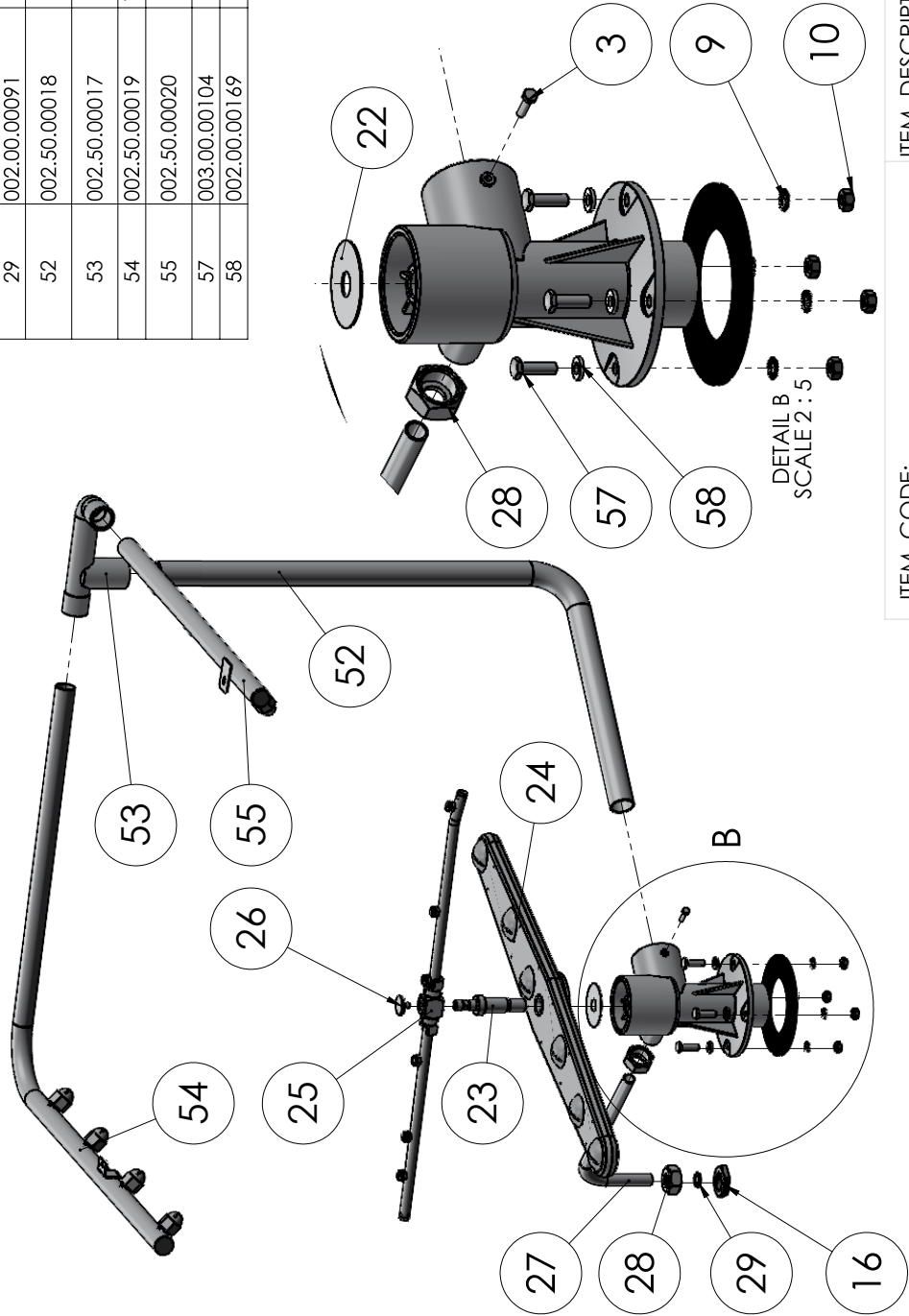
PAGE:

REVISION:

SERIES DESCRIPTION: UNDERCOUNTER MODEL DESCRIPTION:



ITEM NO.	PART NUMBER	DESCRIPTION	QTY.
3	002.50.00036	WASHING BASE DOWN V-K COMPLETE	1
9	001.00.00204	GALVANIZED LOCK WASHER 6,4x11x0,7	4
10	003.00.00041	NUT M6 GALVANISED	4
16	002.00.00062	NUT 1/2	1
22	002.50.00016	FLOW CONTROL DISK FOR BASE V-K	1
23	002.11.00002	AXLE INOX FOR BASE DOWN V500	1
24	002.50.00006		1
25	002.50.00026	RINSING ARM UP OR DOWN V-K	2
26	002.50.00004-1	LOCK NUT FOR RINSING ARM	2
27	002.50.00022	RINSE PIPE INOX V-K	1
28	002.00.00144	RINSE PIPE RETAINING NUT	2
29	002.00.00091	ORING 3X10,5	2
52	002.50.00018	WASHING UPPER SYSTEM INOX SUPPLY PIPE	1
53	002.50.00017	CONNECTOR WASHING SYSTEM PLASTIC	1
54	002.50.00019	WASHING UPPER SYSTEM INOX UP-LEFT	1
55	002.50.00020	WASHING UPPER SYSTEM INOX UP- RIGHT	1
57	003.00.00104	INOX HEX BOLT M6X20	4
58	002.00.00169	TEFLON 12-6-2	4



ITEM CODE: 004.50.00090

MODEL VERSION: 4

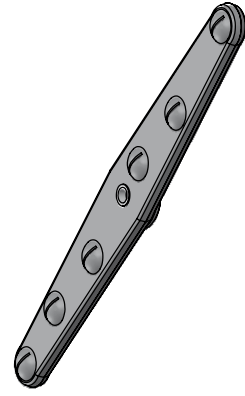
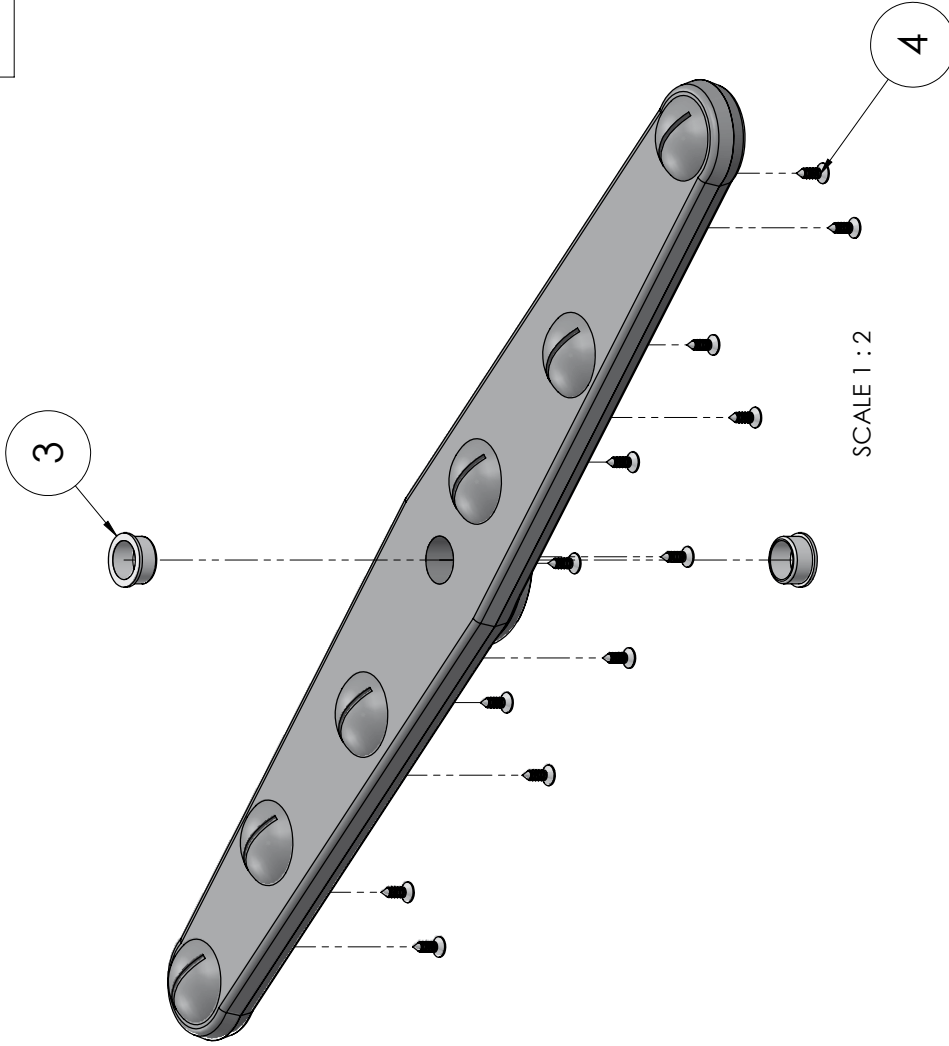
MODEL DESCRIPTION: MECHANICAL EQUIPMENT

SERIES DESCRIPTION: UNDERCOUNTER

PAGE: 4

REVISION: 0

ITEM NO.	PART NUMBER	DESCRIPTION	QTY.
3	002.00.00229	TEFLON $\Phi$ 23X10	2
4	003.00.00424	INOX SCREW 4,2 X 13	12



ITEM CODE: 002.50.00006

ITEM DESCRIPTION:

SERIES DESCRIPTION: UNDERCOUNTER MODEL DESCRIPTION:

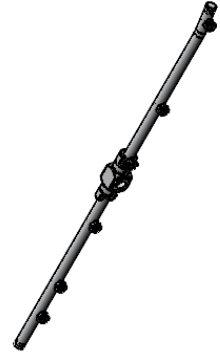
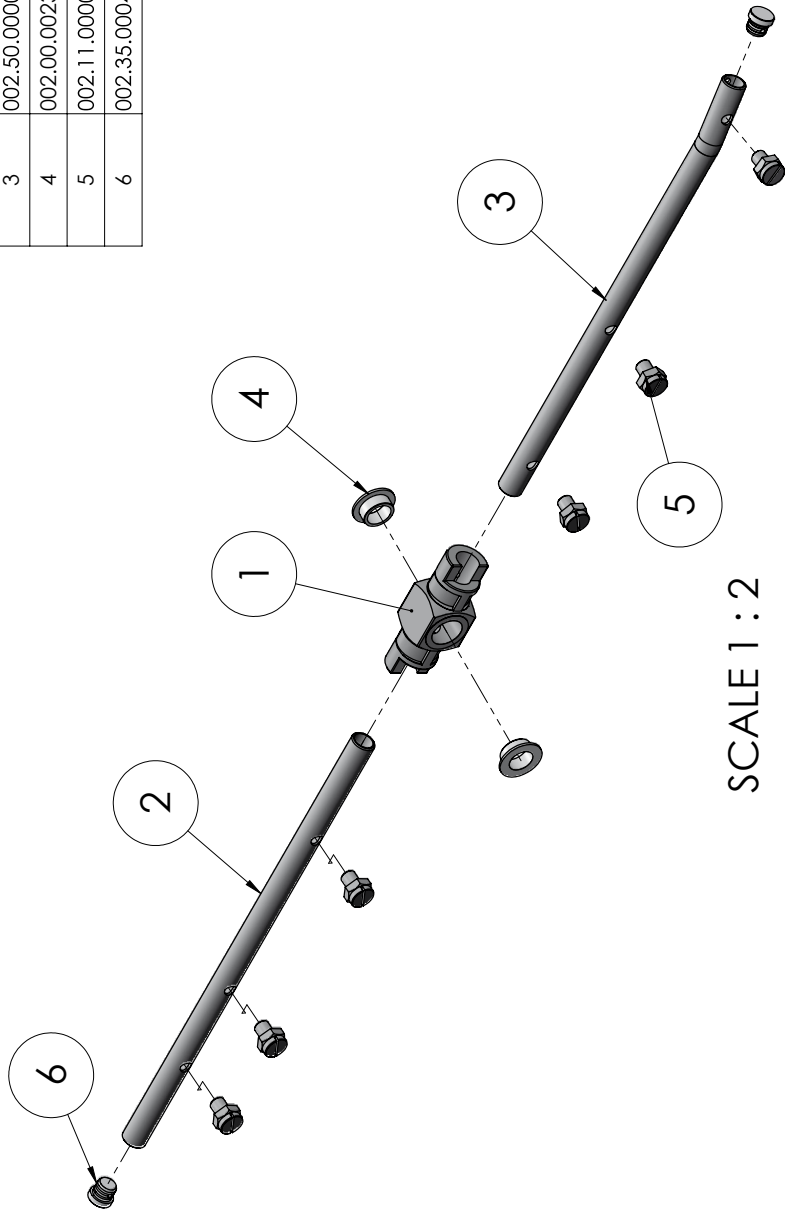
MODEL VERSION:

MODEL CODE:004.50.00090

PAGE: 1

REVISION: 0

ITEM NO.	PART NUMBER	DESCRIPTION	QTY.
1	002.50.00025	PLASTIC BASE FOR RINSING ARMS	1
2	002.50.00005 (B)	RINSING ARM SINGLE - B	1
3	002.50.00005 (A)	RINSING ARM - A	1
4	002.00.00230	TEFLON $\Phi$ 18X6	2
5	002.11.00008	SPRAYER FOR RINSING ARM	6
6	002.35.00047	CAP FOR RINSE ARMS	2



ITEM CODE: 002.50.00026

MODEL VERSION:

ITEM DESCRIPTION: RINSING ARM UP OR DOWN V-K

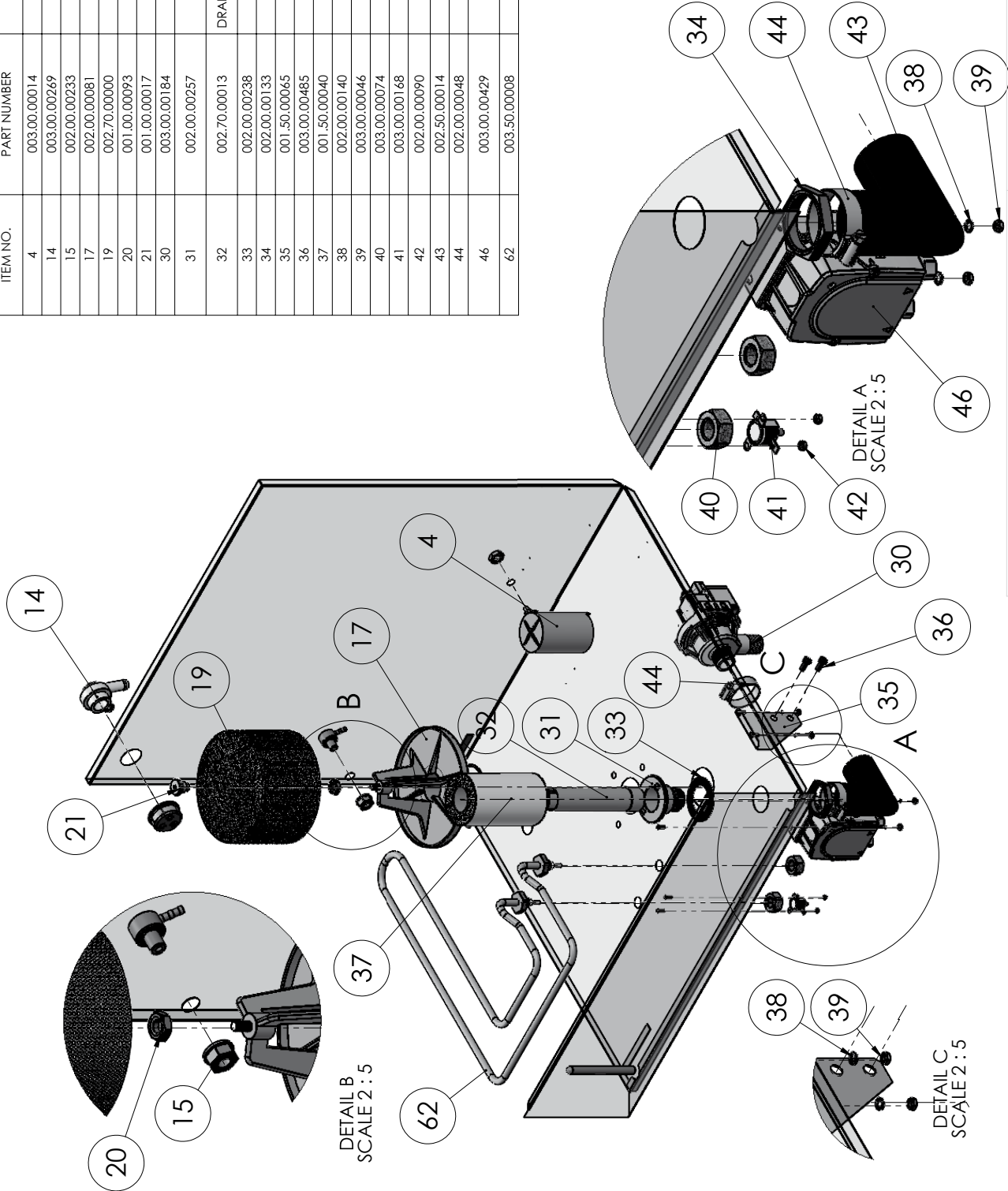
MODEL CODE:004.50.00090

PAGE: 1

REVISION: 0

SERIES DESCRIPTION: UNDERCOUNTER MODEL DESCRIPTION:

ITEM NO.	PART NUMBER	DESCRIPTION	QTY.
4	003.00.00014	PRESSOSTAT CHAMBER	1
14	003.00.00269	NON RETURN VALVE (DVGW)	1
15	002.00.00233	DETERGENT TANK INJECTOR	1
17	002.00.00081	PLASTIC BASE FOR TANK FILTER V-K	1
19	002.70.00000	FILTER IN THE TANK FOR THE PUMP V-K	1
20	001.00.00093	M10 NUT INOX	1
21	001.00.00017	FILTER RETAINING NUT	1
30	003.00.00184	TANK DRAINING PUMP 230V / 65W	1
31	002.00.00257	DRAIN AND OVERFLOW VALVE PLASTIC BASE	1
32	002.70.00013	DRAIN AND OVERFLOW VALVE PLASTIC PART NEW V-K	1
33	002.00.00238	RUBBER GASKET 35X55X1	1
34	002.00.00133	BRONZE NUT M36	1
35	001.50.00065	INOX BASE FOR DRAINING PUMP V500	1
36	003.00.00485	M6 GALVANISED BOLT	2
37	001.50.00040	DRAIN PUMP FILTER V500	1
38	002.00.00140	LOCK WASHER INOX Ø4	4
39	003.00.00046	NUT M4 (GALV)	4
40	003.00.00074	NUT 14 (GALV)	2
41	003.00.00168	TANK THERMOFUSE 900c	1
42	002.00.00090	GALV. NUT M3	2
43	002.50.00014	DRAINING PUMP INLET PIPE V500	1
44	002.00.00048	CLAMP 25-40	2
46	003.00.00429	PERISTALTIC DETERGENT PUMP G300 / 230V	1
62	003.50.00008	HEATER ELEMENT TANK 2.8 kW / 230V	1



ITEM CODE:

MODEL VERSION:

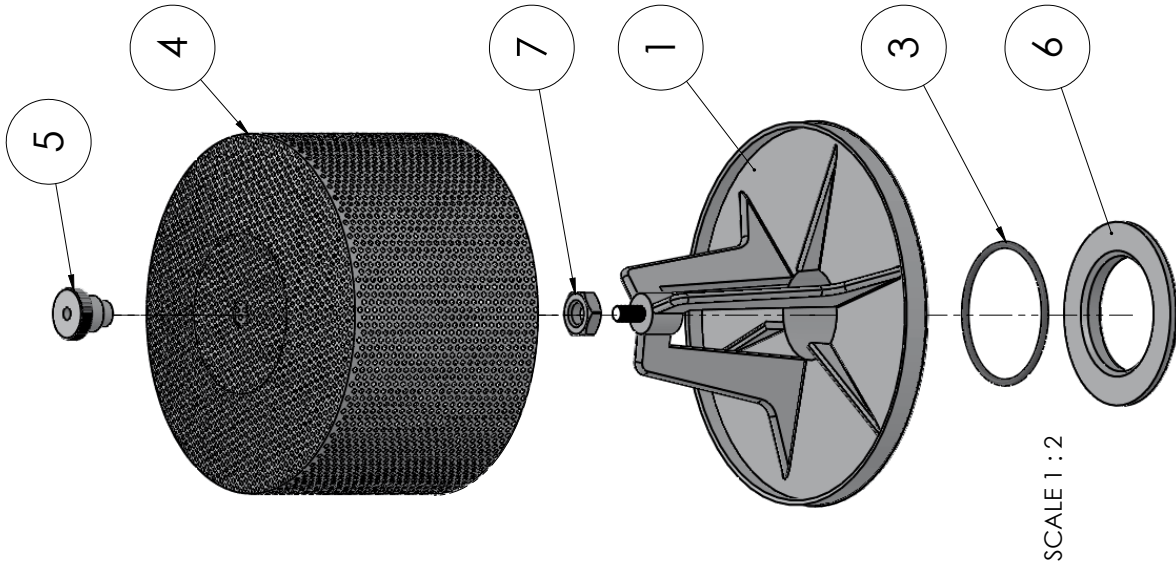
SERIES DESCRIPTION: UNDERCOUNTER MODEL DESCRIPTION:

ITEM DESCRIPTION: MECHANICAL EQUIPMENT

MODEL CODE:004.50.00090 PAGE: 1

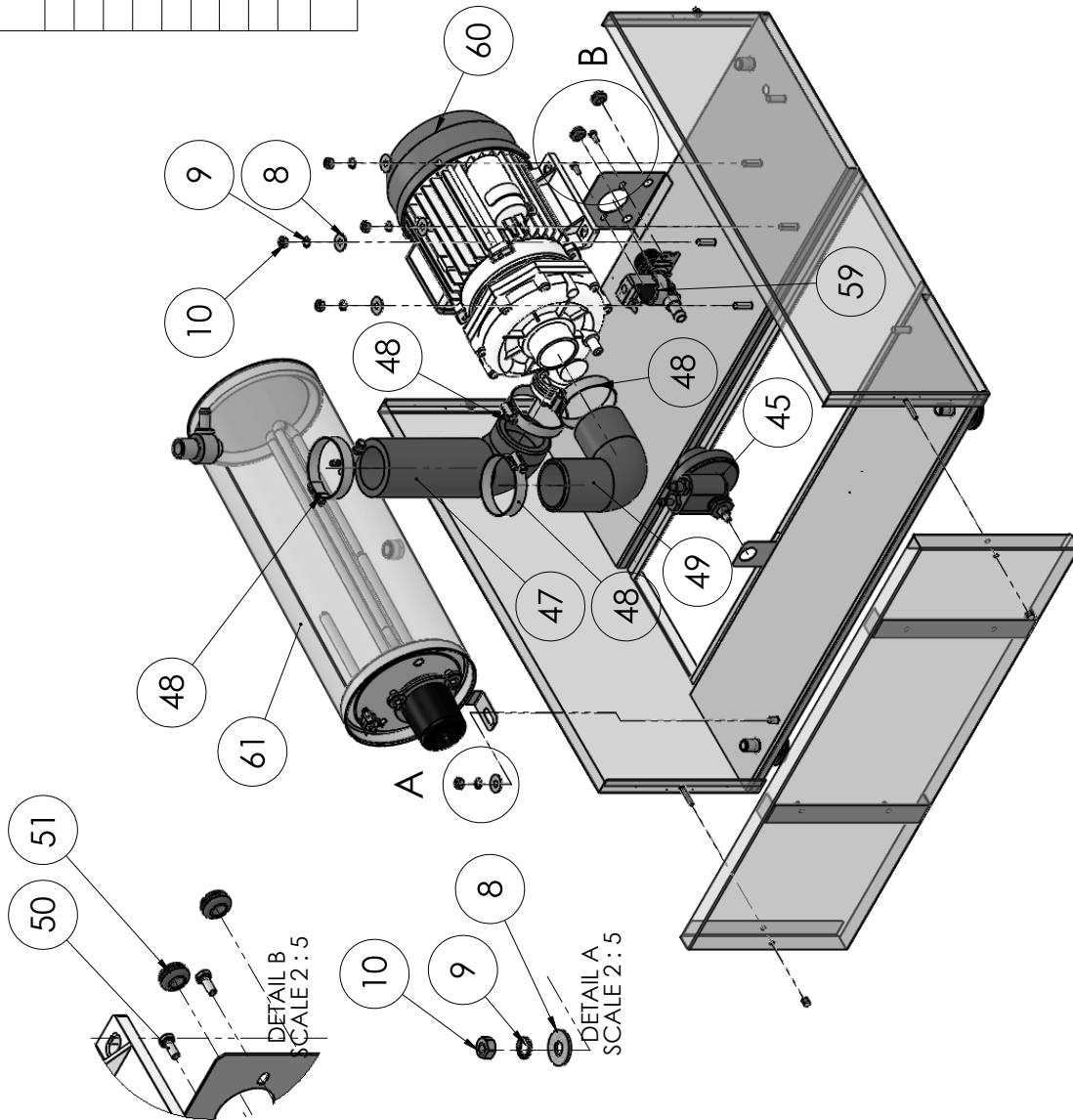
REVISION: 0

ITEM NO.	PART NUMBER	DESCRIPTION	QTY.
1	002.00.00081	PLASTIC BASE FOR TANK FILTER V-K	1
3	002.00.00093	ORING 52X2.5	1
4	001.70.00000	FILTER IN THE TANK FOR THE PUMP V-K	1
5	001.00.00017	FILTER RETAINING NUT	1
6	002.00.00037	NUT 1 1/2"	1
7	001.00.00093	M10 NUT INOX	1



ITEM CODE:	ITEM DESCRIPTION: TANK FILTER V-K COMPLETE
MODEL VERSION: 230V-N 50/60HZ	MODEL CODE:004.50.00090
SERIES DESCRIPTION: UNDERCOUNTER	PAGE: 1
MODEL DESCRIPTION:	REVISION: 0

ITEM NO.	PART NUMBER	DESCRIPTION	QTY.
8	003.00.00516	WASHER STEEL $\Phi 6 \times 18$	5
9	001.00.00204	GALVANIZED LOCK WASHER 6,4x11x0,7	5
10	003.00.00041	NUT M6 GALVANISED	5
45	003.00.00268	HYDRAULIC RINSE AID PUMP	1
47	002.50.00032-1	WASH PUMP HOSE (OUTLET)	1
48	002.00.00050	CLAMP 40-60	4
49	002.00.00127-1	WASH PUMP HOSE (INPUT)	1
50	003.00.00278	GALV. BOLT M4X10	2
51	003.00.00025	CABLE RUBBER PROTECTOR	2
59	003.00.00031	WATER INPUT VALVE	1
60	003.00.00350	PUMP 0,75Hp 50Hz 230V IP44	1
61	006.50.00001	BOILER COMPLETE WITH HEATER ELEM. V500	1



ITEM CODE:

ITEM DESCRIPTION: MECHANICAL EQUIPMENT

SERIES DESCRIPTION: UNDERCOUNTER

MODEL VERSION:

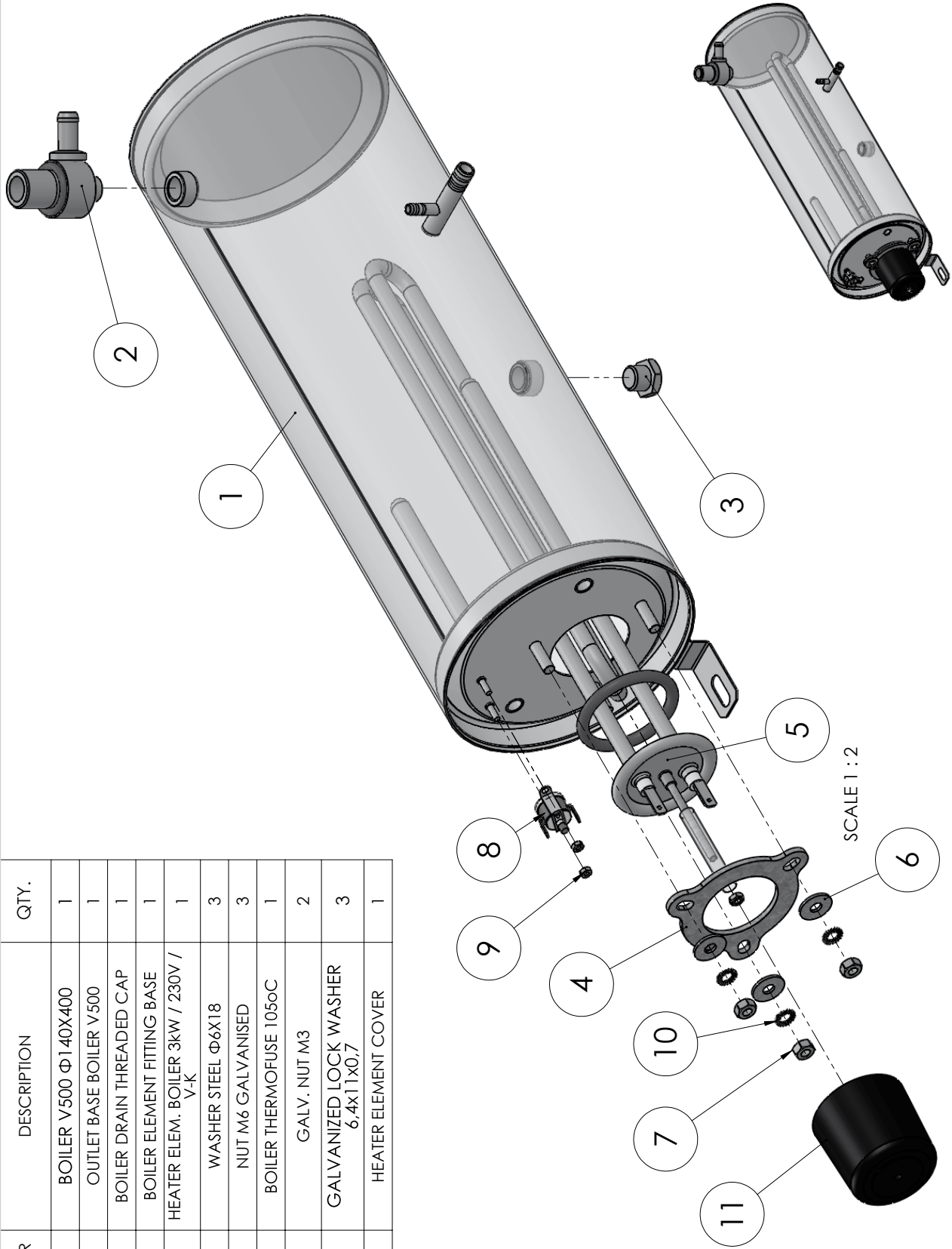
MODEL CODE:004.50.00090

PAGE: 2

REVISION: 0



ITEM NO.	PART NUMBER	DESCRIPTION	QTY.
1	001.50.00017	BOILER V500 $\Phi$ 140X400	1
2	002.50.00001	OUTLET BASE BOILER V500	1
3	002.00.00076	BOILER DRAIN THREADED CAP	1
4	003.00.00260	BOILER ELEMENT FITTING BASE	1
5	003.50.00005	HEATER ELEM. BOILER 3KW / 230V / V-K	1
6	003.00.00516	WASHER STEEL $\Phi$ 6X18	3
7	003.00.00041	NUT M6 GALVANISED	3
8	003.00.00180	BOILER THERMOFUSE 105oC	1
9	002.00.00090	GALV. NUT M3	2
10	001.00.00204	GALVANIZED LOCK WASHER 6,4x11x0,7	3
11	003.00.00004	HEATER ELEMENT COVER	1



ITEM CODE: 006.50.00001

MODEL VERSION:  
230V~N 50/60Hz

ITEM DESCRIPTION: BOILER COMPLETE WITH HEATER ELEM.

MODEL CODE: 004.50.00090

PAGE: 1

REVISION: 0

SERIES DESCRIPTION: UNDERCOUNTER MODEL DESCRIPTION:

