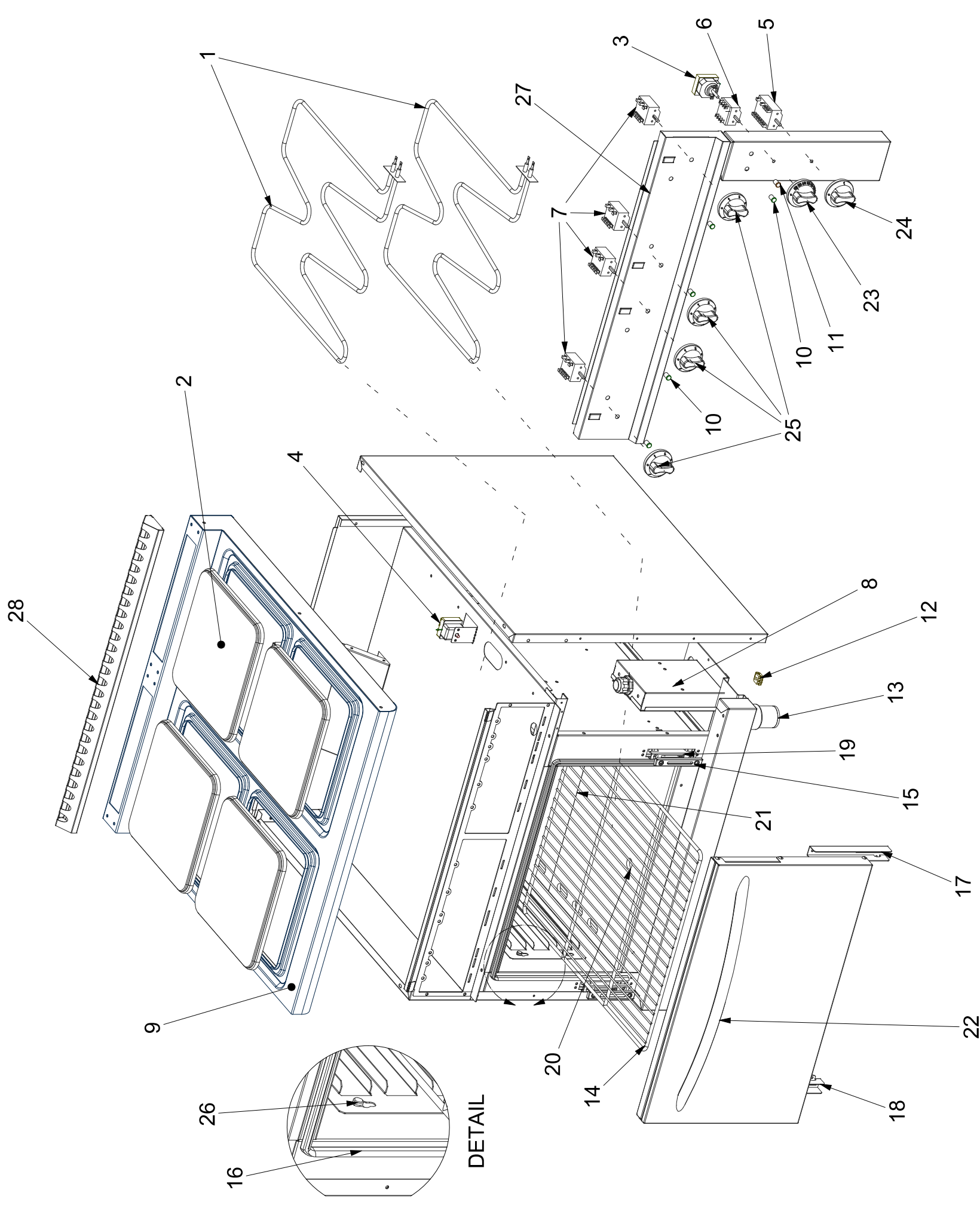


N. ELEMENTO.	NUMERO PARTE
1	07-99600019 RESISTOR 2740W 400V
2	07-99900209 ELECTRIC PLATE 900 LINE
3	08-85900009 WORKING THERMOSTAT 50-275°
4	08-85900019 SAFETY THERMOSTAT 350°
5	09-16520139 SWITCH FOR ELECTRIC OVEN
6	09-85900009 4-POLES SWITCH
7	09-99900069 0-6 POSITIONS SWITCH
8	14-99900750 6-POLES TERMINAL
9	WA-83300269 TOP 800
10	14-99901620 GREEN WARNING LIGHT
11	14-99901621 ORANGE WARNING LIGHT
12	14-99902115 GROUNDING ELEMENT
13	15-99901801 STANDARD FOOT D.58X120-185H
14	21-GX2-1 CHROMED GRID FOR OVEN GN 2/1
15	23-19892319 PLATE FOR ROLLERS' COVERING
16	23-99600212 OVEN JOINT
17	28-99600019 RIGHT HINGE
18	28-99600029 LEFT HINGE
19	28-17610029 ROLLER HOLDER FOR HINGES
20	FRONT OVEN PLATE 800 LQ
21	BACK OVEN PLATE 800 LQ
22	DOOR OVEN
23	29-99701029 KNOB FOR ELECTRIC OVEN
24	29-99701089 KNOB 1 2 3
25	29-99701139 KNOB
26	69-99901729 OVEN GRID SUPPORT
27	FRONTAL PANEL
28	GRID FOR CHIMNEY



Cliente:

Prodotto: LQ-CQE4NE

kW gas: kW elettrico:

Data: 26/03/2021 del 10/12/2021 Revisione: del 10/12/2021 Scala: Designer: 1:10 Andrea Francini

Note:



CASTA s.r.l.

Stab. 1 e 3 - Via F.lli Lumière, 11 - Z.I. Villa Selva
 Stab. 2 - Via F.lli Lumière, 30 - Z.I. Villa Selva
 47122 Forlì - FC - IT
 www.casta.com - e-mail: casta@casta.com
 Tel. +39.0543.782920 - Fax+39.0543.782925