

Operation Instructions

Refrigerated Table Top Display Model KATRIN

Order no. 330-1030



CONTENTS

- 1. General Information**
- 2. Safety Notes**
- 3. Transportation and Placement**
- 4. Operation**
- 5. Cleaning**
- 6. Technical Data and Special Features**
- 7. Trouble Shooting and Settlements**
- 8. Circuit Diagram**
- 9. Waste Disposal**

1. General Information

- Carefully read these operating instructions through as they contain important information for the safe and correct use of the appliance.
- It is advisable to keep the operating instructions in a place where you have them always ready to hand.
- If you pass the appliance on to a third party, these operating instructions should be handed on.
- As soon as you have unpacked the refrigerated showcase, check whether everything is in a faultless condition. Should anything be damaged, do not connect the appliance as such, but inform your dealer.
- The refrigerated showcase must only be used for the intended purpose, like showing or storage of products, which have to be cooled, like cakes, foodstuff or beverages. Improper use can cause damages and lead to the loss of the warranty.
- Double hollow transparent glasses are used on the 2 doors and body. They make an all-round visibility possible on the exhibited products.
- The plastic-coated grids are adjustable.
- In the case of fault and/or malfunction, pull the power plug from the socket and inform your dealer. He will carry out the repair with original spare parts.
- The manufacturer/dealer cannot be made responsible for damages which arise through not observing these operating instructions. Apart from this, if these instructions are not observed, the safety of the showcase is no longer guaranteed.

2. Safety Notes

- The showcase should be connected to a separate socket. Do not use similar devices which allow numbers of electrical appliances to be operated together from electrical outlet.
- The outlet must be easily accessible, so that the plug can easily be removed in the case of an emergency.
- If you pull the plug from the socket, always pull at the plug and never at the cable.
- The cable must not come into contact with water or hot parts.
- Do not touch the cable and the plug with moist or wet hands.
- Regularly check the cable. If it is damaged, it must be exchanged by a specialist.
- Do not block the air intake openings and the air discharge outlets in the showcase. They have to be cleaned from time to time, because dirt and dust can block the slots.
- Do not place any heavy objects on top of the showcase.
- Never put dangerous products (inflammable and explosive) nearby the showcase.
- Repairs may only be undertaken by a qualified specialist using original spare parts.
- Do not attempt to repair the showcase by yourself.
- Do not touch the compressor (burn danger).
- Ensure that children do not play with showcase respectively the door.
- Before each cleaning session or repair pull the power plug out of the socket. Do not use a wet rag (only moist), high pressure cleaner or a jet of water.
- After power failure or unplugging the showcase, always wait at least 5 minutes before putting the plug into the socket.

3. Transportation and Placement

- Please be careful during the transportation or moving of the showcase.
- To prevent possible compressor damage, transport the showcase in upright position.
- Take good care of the glass panes to prevent breakage.
- Set the 2 sliding doors into the showcase. First put the doors into the upper guide rail and then into the lower rail.
- Dispose the packing material according to the local regulations. All the packaging items (plastic bags, cardboard, polystyrene foam, nails, etc.) should not be left within reach of children, in that they are potential sources of danger.
- Place the showcase on a stable, dry and level surface.
- Keep the showcase out of direct sun or other heat sources to ensure correct temperatures can be achieved.
- Do not block the air intake openings and the air discharge outlets in the showcase.

4. Operation

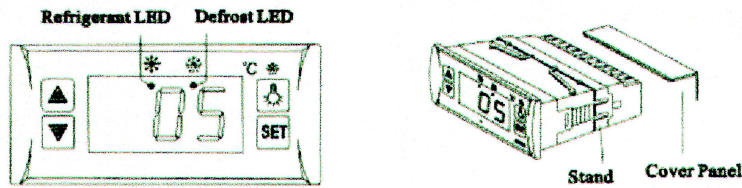
General Recommendations

- Clean the showcase and the grids with a moist cloth and a mild cleaning detergent. Dry everything carefully. Do not use aggressive detergents, steel wool or high pressure cleaner or a jet of water. (See also under point 5 “Cleaning”)
- Put the grids into the showcase.
- Put the plug into the plug socket.
- The products should have room temperature (not too warm or hot).
- The distance of the grids should suit the products height.
- Place the products in a proper way into the showcase, so that nothing falls out, if you open the door.
- Place not too much into the showcase, because of the air circulation.
- Do not block the air intake openings and the air discharge outlets in the showcase.
- Avoid unnecessary opening of the door.
- Ensure the door is properly closed at all times.
- During power failure open the door rarely and for short time only. Do not insert further food.

Digital Temperature Controller

Features of Functions

- ▲ It increases the value of the parameter
- ▼ It reduces the value of the parameter
- SET Indicator of the set-point value and programming of the parameter value
Press the button with the lighting symbol for switching on or off the interior light.



1. After putting the plug into the socket, the display shows the temperature of the showcase interior.
2. If you press the set-key now, the LED-display flashes on, and the adjusted cooling temperature is indicated. With the arrow keys (▲ or ▼) you can change this temperature level. The new set cooling temperature is confirmed by pressing the SET-key or you wait several seconds and the new set cooling temperature is automatically taken over.
3. To switch on the interior light, press the key with the lamp symbol. If you press this key again, the lamp is switched off.
4. The Refrigerant LED lights up during the cooling phase and shut off, if the cooling temperature is constant.
5. The Defrost LED lights up during the defrost phase and flashes, if there is a delay with the defrosting.

5. Cleaning

- Clean the showcase regularly.
- Before each cleaning pull the power plug from the socket.
- Take out the sliding doors at the back side of the showcase.
- Clean the exterior surfaces and the grids with a soft, damp, warm cloth and a commercial detergent. Wipe off and dry everything carefully. The glass panes can be cleaned with a cleaning detergent for windows.
- Do not use aggressive detergents, steel wool or abrasive sponges. The showcase may not be hosed down with water.
- Brush off from time to time the dirt from the slots in the interior of the showcase. Use at the same time a vacuum cleaner.
- If you do not need the showcase for a long time, pull the plug from the socket and clean everything as described above.

6. Technical Data and Special Features

Model	KATRIN
Capacity	ca. 100 litres
Temperature range	0° / + 12°C
2 adjustable grids, plastic coated	
4 sides double glazing (2 sliding doors)	
Internal light	
Refrigerant	R 600 a
Power connection	230 V / 50 Hz / 0,16 kW
Weight	39 kg
Dimensions (exterior)	W 682 x D 450 x H 675 mm

7. Troubleshooting and Settlements

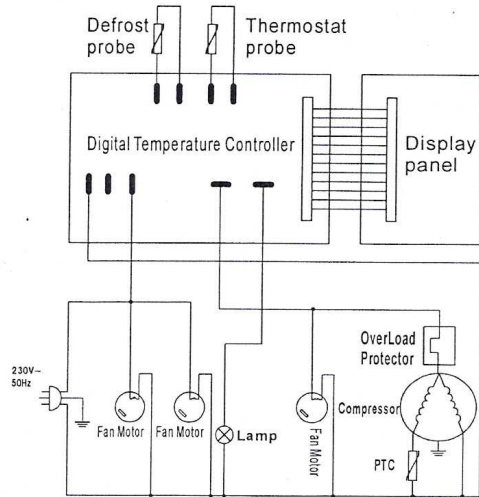
Non-trouble

The following situation do not mean trouble.

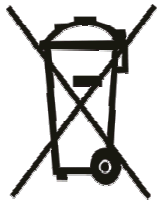
- If dew-drops are on the panes, it is no trouble.
- The outside of the refrigerator may have condensate water when the humidity is high, please wipe it off with dry cloth.

Trouble	Settlement
The showcase does not cool.	Check whether a power failure is the cause. Is the plug in the plug socket?
The showcase does not work well.	Are the air intake openings and the discharge openings blocked? Was the showcase upright transported? If not, did it stand after transportation upright for enough time (at least 1 hour)? Is the temperature regulator not correctly adjusted? If it is in the position „LOW“, put it higher. Is the showcase in direct sunlight or near to other sources of warmth? Are the sliding doors closed well? Are the sliding doors too often opened? May be too hot food or too much was placed in it.
Noise	Does the showcase stand on a stable and flat surface? Does the back of the showcase have contact with the wall? If the sound is like water flows, it is no trouble, but the sound of flowing refrigerant, for example when starting.

8. Circuit diagram



9. Waste Disposal



For the disposal of the device follow the regulations applicable in your country.